

# JET

**JDP-15B**  
**JDP-15F**  
**JDP-17**

## **DRILL PRESS**

Original:

**GB**  
**Operating Instructions**

Translations:

**D**  
**Gebrauchsanleitung**

**F**  
**Mode d'emploi**



**JPW (Tool) AG**  
Tämperlistrasse 5  
CH-8117 Fällanden  
Switzerland  
Phone +41 44 806 47 48  
Fax +41 44 806 47 58  
[www.jettools.com](http://www.jettools.com)



**CE-Conformity Declaration  
CE-Konformitätserklärung  
Déclaration de Conformité CE**

**Product / Produkt / Produit:**

Drill Press  
Säulenbohrmaschine  
Perceuse à colonne  
**JDP-15B / JDP-15F / JDP-17**

**Brand / Marke / Marque:**

**JET**

**Manufacturer / Hersteller / Fabricant:**

JPW (Tool) AG, Tämperlistrasse 5, CH-8117 Fällanden  
Schweiz / Suisse / Switzerland

We hereby declare that this product complies with the regulations  
Wir erklären hiermit, dass dieses Produkt der folgenden Richtlinie entspricht  
Par la présente, nous déclarons que ce produit correspond aux directives suivantes

**2006/42/EC**

Machinery Directive  
Maschinenrichtlinie  
Directive Machines

**2014/30/EU**

electromagnetic compatibility  
elektromagnetische Verträglichkeit  
compatibilité électromagnétique

designed in consideration of the standards  
und entsprechend folgender zusätzlicher Normen entwickelt wurde  
et été développé dans le respect des normes complémentaires suivantes

**EN ISO 12100:2010**

**EN 12717:2001+A1:2009**

**EN 60204-1:2006+A1:2009**

**EN 61000-6-2:2005**

**EN 61000-6-4:2007+A1:2011**

Responsible for the Documentation / Dokumentations-Verantwortung / Responsabilité de Documentation:

Hansjörg Meier  
Head Product-Mgmt. / Leiter Produkt-Mgmt. / Resp. Gestion des Produits  
JPW (Tool) AG



2016-09-26 Alain Schmid, General Manager  
JPW (Tool) AG, Tämperlistrasse 5, CH-8117 Fällanden  
Schweiz / Suisse / Switzerland

# GB - ENGLISH

## Operating Instructions

Dear Customer,

Many thanks for the confidence you have shown in us with the purchase of your new JET-machine. This manual has been prepared for the owner and operators of a **JET JDP-15B, JDP-15F, JDP-17 drill press** to promote safety during installation, operation and maintenance procedures. Please read and understand the information contained in these operating instructions and the accompanying documents. To obtain maximum life and efficiency from your machine, and to use the machine safely, read this manual thoroughly and follow instructions carefully.

### ...Table of Contents

#### 1. Declaration of conformity

#### 2. Warranty

#### 3. Safety

Authorized use  
General safety notes  
Remaining hazards

#### 4. Machine specifications

Technical data  
Noise emission  
Contents of delivery  
Features  
Description of machine

#### 5. Transport and start up

Transport and installation  
Assembly  
Mains connection  
Dust collection  
Starting operation

#### 6. Machine operation

#### 7. Setup and adjustments

Removing the chuck and arbor  
Adjusting the depth stop  
Adjusting quill retraction lock  
Changing spindle speeds  
Table movements  
Table tilt adjustment  
Table insert levelling  
Cross laser adjustment  
LED work light adjustment  
Return spring adjustment

#### 8. Maintenance and inspection

#### 9. Trouble shooting

#### 10. Environmental protection

#### 11. Available accessories

### 1. Declaration of conformity

On our own responsibility we hereby declare that this product complies with the regulations\* listed on page 2. Designed in consideration with the standards\*\*.

### 2. Warranty

The Seller guarantees that the supplied product is free from material defects and manufacturing faults. This warranty does not cover any defects which are caused, either directly or indirectly, by incorrect use, carelessness, accidental damage, repair, inadequate maintenance or cleaning and normal wear and tear.

Guarantee and/or warranty claims must be made within twelve months from the date of purchase (date of invoice). Any further claims shall be excluded.

This warranty includes all guarantee obligations of the Seller and replaces all previous declarations and agreements concerning warranties.

The warranty period is valid for eight hours of daily use. If this is exceeded, the warranty period shall be reduced in proportion to the excess use, but to no less than three months.

Returning rejected goods requires the prior express consent of the Seller and is at the Buyer's risk and expense.

Further warranty details can be found in the General Terms and Conditions (GTC). The GTC can be viewed at [www.jettools.com](http://www.jettools.com) or can be sent by post upon request.

The Seller reserves the right to make changes to the product and accessories at any time.

### 3. Safety

#### 3.1 Authorized use

This drill press is designed for drilling wood and machinable metal and plastic materials only. Machining of other materials is not permitted and may be carried out in specific cases only after consulting with the manufacturer.

#### **Never cut magnesium- high danger of fire!**

The workpiece must allow to safely be loaded and clamped for machining.

The proper use also includes compliance with the operating and maintenance instructions given in this manual.

The machine must be operated only by persons familiar with its operation and maintenance and who are familiar with its hazards.

The required minimum age must be observed.

The machine must only be used in a technically perfect condition.

When working on the machine, all safety mechanisms and covers must be mounted.

In addition to the safety requirements contained in these operating instructions and your country's applicable regulations, you should observe the generally recognized technical rules concerning the operation of wood- and metal-working machines.

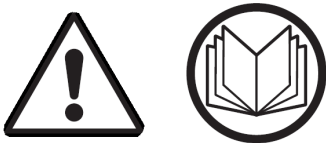
Any other use exceeds authorization.

In the event of unauthorized use of the machine, the manufacturer renounces all liability and the responsibility is transferred exclusively to the operator.

### 3.2 General safety notes

Wood and metalworking machines can be dangerous if not used properly. Therefore the appropriate general technical rules as well as the following notes must be observed.

Read and understand the entire instruction manual before attempting assembly or operation.



Keep this operating instruction close by the machine, protected from dirt and humidity, and pass it over to the new owner if you part with the tool.

No changes to the machine may be made.

Daily inspect the function and existence of the safety appliances before you start the machine.

Do not attempt operation in this case, protect the machine by unplugging the power cord.

Do **not** wear gloves while operating this machine. Remove all loose clothing and confine long hair.



Before operating the machine, remove tie, rings, watches, other jewellery, and roll up sleeves above the elbows.

Wear safety shoes; never wear leisure shoes or sandals.

Always wear the approved working outfit:

- safety goggles
- ear protection
- dust protection



Install the machine so that there is sufficient space for safe operation and workpiece handling.

Keep work area well lighted.

The machine is designed to operate in closed rooms and must be placed stable on a firm and levelled surface.

### The machine must be bolted down to avoid tipping!

Make sure that the power cord does not impede work and cause people to trip.

Never use the power cord to carry the tool.

Do not expose the power cord to heat, oil or any sharp corners. Do not pull the cord to unplug.

Keep the floor around the machine clean and free of scrap material, oil and grease.

Make sure the motor fan and fan cover are kept clear of sawdust.

Stay alert!

Give your work undivided attention. Use common sense.

Keep an ergonomic body position.

Maintain a balanced stance at all times.

Do not operate the machine when you are tired.

Do not operate the machine under the influence of drugs, alcohol or any medication. Be aware that medication can change your behaviour.

Keep children and visitors a safe distance from the work area.

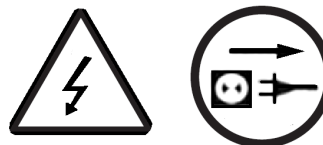
Never reach into the machine while it is operating or running down.

Never leave a running machine unattended.

Before you leave the workplace switch off the machine.

Pull the mains plug if the tool is not in use.

Make all machine adjustments, cleaning or maintenance with the machine unplugged from the power source.



Before starting the machine, clear all items, such as tools and rags, away from machine.

Do not operate the electric tool near inflammable liquids or gases.

Observe the firefighting and fire alert options, for example the fire extinguisher operation and place.

Do not use the machine in a damp environment and do not expose it to rain.

Wood dust is explosive and can also represent a risk to health. Dust from some tropical woods in particular, and from hardwoods like beach and oak, is classified as a carcinogenic substance.

Always use a suitable dust extraction device

Before machining, remove any nails and other foreign bodies from the workpiece.

Never operate without the chuck guard in place.

Remove the chuck key and wrenches before machine operation.

Do not remove chips and work piece parts until the machine is at a complete standstill.

Do not remove chips or debris with your hands - use a brush or chip hook.

Be careful when changing drill bits. Drill bits are sharp edged and can get very hot during machining.

Work only with well sharpened tools.

Do not start the drill press while the cutting tool is in contact with the workpiece.

Do not force the power tool. It will do a better and safer job and give you much better service if it is used at the rate for which it was designed.

Specifications regarding the maximum or minimum size of the workpiece must be observed.

Never place your fingers in a position where they could contact the drill or other cutting tool if the work piece should unexpectedly shift or your hand should slip.

Machine only stock which is securely supported.

Secure workpiece against rotation. Use fixtures, clamps or a vice to hold the workpiece.

Never hold the workpiece with your hands alone.

To clamp workpiece to the table, use the table slots or clamping ledge around the outside of the table.

When using a drill press vice, always fasten it to the table.

If a work piece overhangs the table such that it will fall or tip if not held, clamp it to the table or provide auxiliary support.

Do not use wire wheels, router bits, shaper cutters, circle cutters and grinding discs on this drill press.

Make sure, drill bit and table are securely locked before operating the drill press.

Never move the table while the machine is running.

Do not stand on the machine.

Do not operate the machine with the safety equipment not in place – high safety risk!

Connection and repair work on the electrical installation may be carried out by a qualified electrician only.

Always unwind any extension cords fully.

Have a damaged or worn power cord replaced immediately.

Do not use the machine when the ON-OFF switch does not operate correctly.

The use of accessories other than those recommended in this manual can create a safety hazard.

To avoid injury from parts thrown by the clock spring, follow instructions exactly as given when adjusting the return spring tension of the quill.

Do not stare into beam of cross laser

Do not view directly with optical instruments

Do not point the laser beam at people or animals.

Do not use the laser beam on highly reflective materials. Reflected light is dangerous.

A defective laser beamer may be replaced only, not repaired.

### 3.3 Remaining hazards

When using the machine according to regulations some remaining hazards may still exist.

The rotating drill bit can cause injury.

Thrown workpieces and workpiece parts can lead to injury.

Tipping of the workpiece due to insufficient support can lead to injury.

Dust, chips and noise can be health hazards. Be sure to wear personal protection gear such as safety goggles, ear protection and dust mask.

Assure good ventilation.

Use a suitable dust collection or air filtration system.

The use of incorrect mains supply or a damaged power cord can lead to injuries caused by electricity.

## 4. Machine specifications

### 4.1 Technical data

Mains	230V ~1L/N/PE 50Hz
Motor Output Power	0.55kW (0,75 HP) S1
Reference current	3.7 A
Laser class 2	<1mW, 650nm
Work light	LED
Extension cord (H07RN-F):	3x1,5²mm
Installation fuse protection	10A
Insulation class	I

Mains	400V ~3L/N/PE 50Hz
Motor Output Power	0.55kW (0,75 HP) S1
Reference current	1,6 A
Laser class 2	<1mW, 650nm
Work light	LED
Extension cord (H07-F):	5x1,5²mm
Installation fuse protection	10A
Insulation class	I

### JDP-15B:

Number of spindle speeds	16
Range of speeds	180 - 2900 rpm
Spindle taper	MT2
Keyless chuck (arbor MT2/B16)	1-16mm
Spindle travel	80mm
Quill diameter	47mm
Distance spindle to column	190mm
Distance spindle to table	max 471mm
Distance spindle to base	683mm



Table size Depth x Width	320 x 454mm
Table slots (4x)	15 x 70mm
Table T-slots (2x)	13mm
Table T-slots distance	270mm
Table insert (MDF)	95 x 95 x 16-19mm
Table tilt	+/- 90°
Workpiece weight on the table	max 30kg
Column diameter	73mm
Base size D x W	460 x 288mm
Base working surface D x W	200 x 240mm
Base slot (2x)	15 x 160mm
Base slot distance	126mm
Base mounting hole distance (2x Ø11)	200mm
Overall D x W x H	677 x 434 x 1115mm
Net weight	71 kg

#### JDP-15F:

Number of spindle speeds	16
Range of speeds	180 - 2900 rpm
Spindle taper	MT2
Keyless chuck (arbor MT2/B16)	1-16mm
Spindle travel	80mm
Quill diameter	47mm
Distance spindle to column	190mm
Distance spindle to table	max 778mm
Distance spindle to base	1182mm
Table size Depth x Width	320 x 454mm
Table slots (4x)	15 x 70mm
Table T-slots (2x)	13mm
Table T-slots distance	270mm
Table insert (MDF)	95 x 95 x 16-19mm
Table tilt	+/- 90°
Workpiece weight on the table	max 30kg
Column diameter	73mm
Base size D x W	480 x 288mm
Base working surface D x W	200 x 240mm
Base slot (2x)	15 x 160mm
Base slot distance	126mm
Base mounting hole distance (2x Ø11)	200mm
Overall D x W x H	677 x 434 x 1623mm
Net weight	79 kg

#### JDP-17:

Number of spindle speeds	16
Range of speeds	180 - 2900 rpm
Spindle taper	MT2
Keyless chuck (arbor MT2/B16)	1-16mm
Spindle travel	127mm
Quill diameter	52mm
Distance spindle to column	215mm
Distance spindle to table	max 763mm
Distance spindle to base	1194mm
Table size Depth x Width	356 x 483mm
Table slots (4x)	15 x 79mm
Table T-slots (2x)	13mm
Table T-slots distance	270mm
Table insert (MDF)	95 x 95 x 16-19mm
Table tilt	+/- 90°
Workpiece weight on the table	max 30kg

Column diameter	80mm
Base size D x W	507 x 328mm
Base working surface D x W	217 x 271mm
Base slot (2x)	15 x 178mm
Base slot distance	130mm
Base mounting hole distance (2x Ø11)	200mm
Overall D x W x H	723 x 483 x 1679mm
Net weight	86 kg

#### 4.2 Noise emission

Acoustic pressure level  
(according to EN ISO 11202, inspection tolerance 4 dB):  
Idling at 2300rpm LpA 70 dB(A)

The specified values are emission levels and are not necessarily to be seen as safe operating levels.  
As workplace conditions vary, this information is intended to allow the user to make a better estimation of the hazards and risks involved only.

#### 4.3 Content of delivery

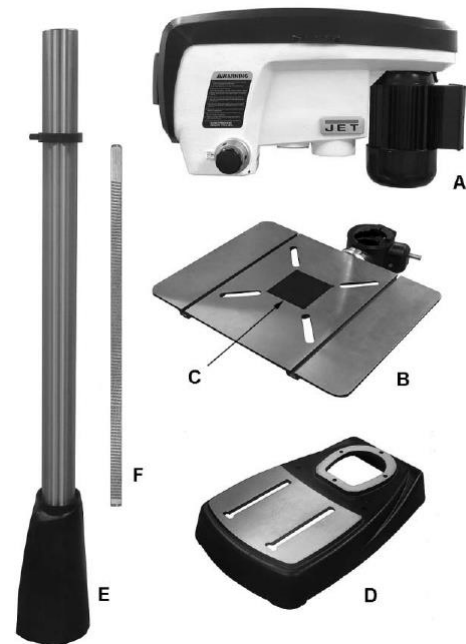


Fig 1

Head assembly  
Table assembly with MDF-table insert  
Machine base  
Column and bracket assembly  
Rack



Fig 2

Drift key  
 Ring spanner  
 Column locking handle  
 Table elevating crank  
 3 down feed handles  
 Worm shaft  
 Allen keys  
 Bolts and washers for base mount  
 16mm keyless chuck  
 MT2/ B16 arbor  
 Chuck guard  
 Operating manual  
 Spare parts list.

#### 4.4 Features

Rapid spindle travel with one revolution of the handle  
 One-handed belt tensioning allows for rapid speed changes  
 Integrated depth stop makes repetitive drilling quick and easy  
 Cross Laser easily identifies the drill centre  
 Long-lasting, built-in LED work light reduces shadows  
 Precisely ground cast iron work table  
 Large table surface features twin T-slot grooves and 4 table slots to accommodate any project  
 Table edge designed to make clamping easy  
 MDF table insert, 95x95mm, height adjustable, easily replaced  
 Large cast iron base provides stability  
 Powered by an efficient high torque induction motor and poly-V belt drive system  
 16mm keyless chuck with MT2/B16 arbor supplied  
 Transparent chuck guard with limit switch, for safe operation

Pulley cover with limit switch, for safe operation  
 E-stop button, for safe operation

#### 4.5 Description of machine

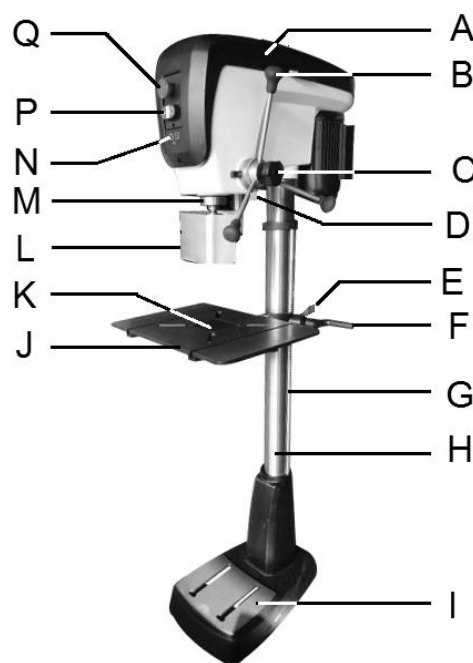


Fig 3

A...Pulley cover  
 B...Downfeed handle  
 C...Downfeed lock  
 D...LED work light and cross laser  
 E...Column locking handle  
 F...Table elevating crank  
 G...Rack  
 H...Column  
 I...Base  
 J...Table  
 K...Table insert (MDF)  
 L...Chuck guard  
 M...Spindle quill  
 N...Switches for work light and cross laser  
 P...Motor ON/OFF switch  
 Q...E-stop button

### 5. Transport and start up

#### 5.1 Transport and installation

The machine is designed to operate in closed rooms and must be placed stable on firm and levelled surface.

#### Warning:

**To avoid tipping, the machine must be bolted down with two lag screws (not provided). Fig 4**

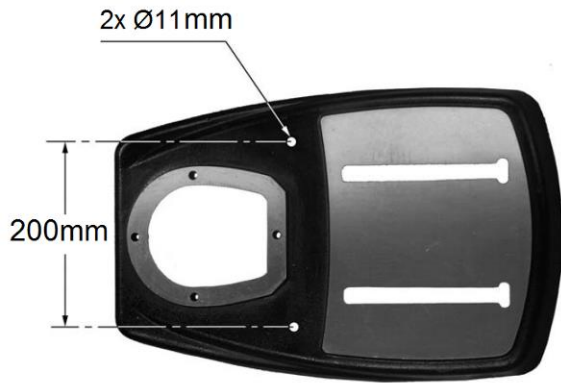


Fig 4

For packing reasons the machine is not completely assembled.

## 5.2 Assembly

Do not connect the drill press to power source until machine has been fully assembled.



If you notice transport damage while unpacking, notify your supplier immediately. Do not operate the machine!

Dispose of the packing in an environmentally friendly manner.

Clean all rust protected surfaces with a mild solvent.

Make sure the set screw (Fig 5) is tight against the column.

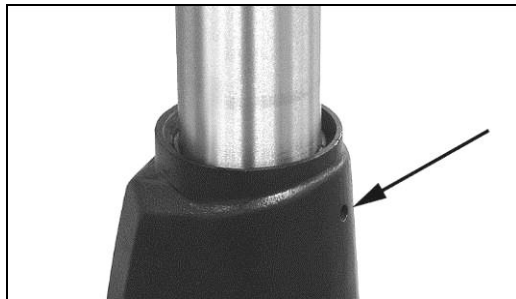


Fig 5

Attach base to column foot with four M8 screws and flat washers. Fig 6.

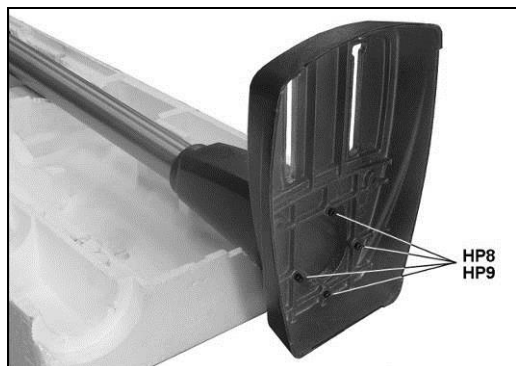


Fig 6

Tighten screws firmly.

Set the column assembly upright.

Insert the worm shaft (HP6, Fig 7).

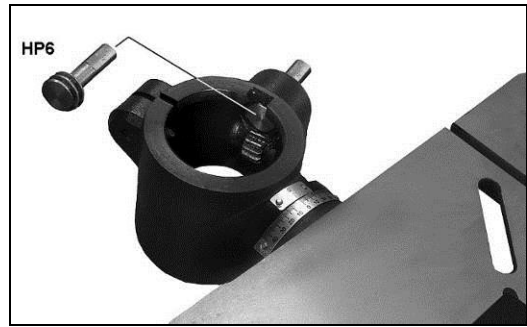


Fig 7

Position the rack (F, Fig 8) into the table bracket slot.

The longer flat portion of the rack should be at the top.

With the aid of a second person, slide the table bracket and rack together down the column.

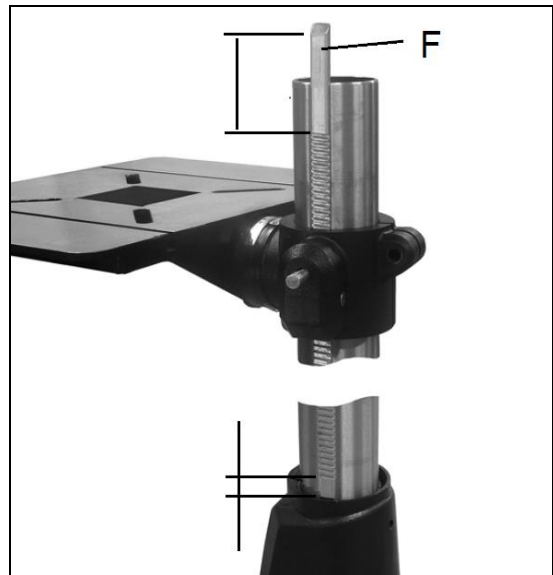


Fig 8

Place the stop collar (G, Fig 9) onto the column and slide it down. Tighten set screw (J).

**ATTENTION:** the rack must be free for side movement.

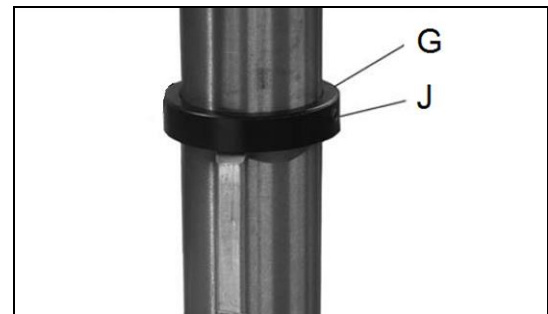


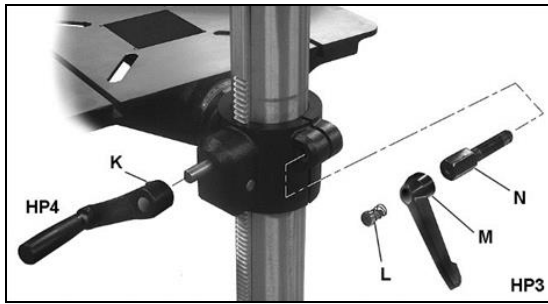
Fig 9

Mount the table elevating crank (HP4, Fig 10).

Make sure the set screw (K) aligns with the flat on the worm shaft.



Mount column locking handle (HP3).  
The locking handle is adjustable, pull to rotate.



**Fig 10**

With the aid of a second person, carefully lift the head onto the column top.

**Warning:**  
**The head assembly is heavy! Use care when lifting onto the column!**

Rotate the head assembly until the sides of the belt cover are parallel with the sides of the base.

Tighten the 2 grub screws (O, Fig 11) firmly.



**Fig 11**

Install 3 downfeed handles (HP5, Fig 12).

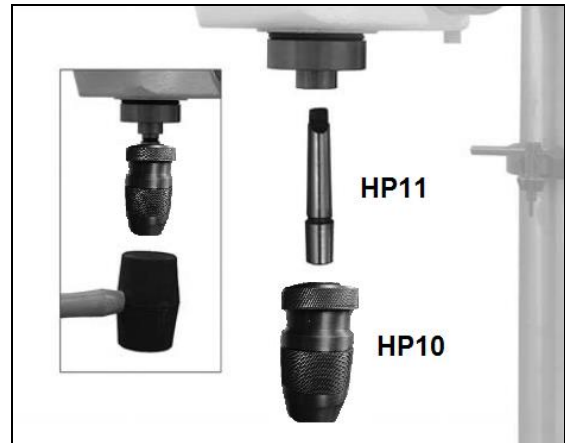


**Fig 12**

Thoroughly clean spindle, arbor and chuck with a soft rag and solvent, such as mineral spirits.

**Important:** the three pieces must be free from any lubricant. Any grease, oil or residue in these areas can cause the pieces to separate, creating a safety hazard and potential damage to the tool.

Slide the arbor (HP11, Fig 13) into the spindle. Turn the arbor as you push it, until the tang engages the slot in the spindle.



**Fig 13**

Push chuck (HP 10) onto arbor.

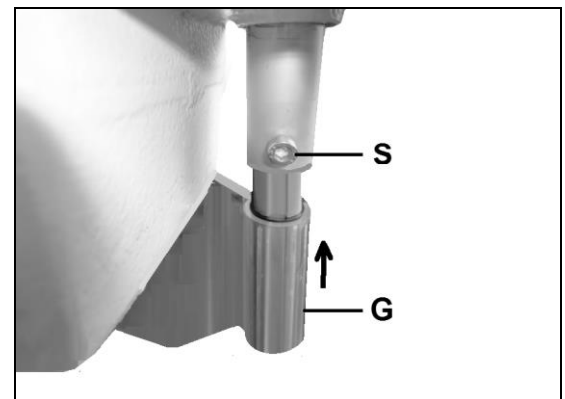
Open the chuck to completely retract the chuck jaws.

Use a rubber mallet or a hammer against a block of wood and tap the bottom of the chuck two or three times.

**Chuck guard Assembly:**

Loosen the hex socket screw (S, Fig 14) and install the chuck guard assembly (G).

Tighten screw (S) again.



**Fig 14**

The chuck guard can be adjusted up/down for best user protection. Loosen the locking knob (L, Fig 15) to adjust.

The chuck guard can be opened (rotated) for setup access.

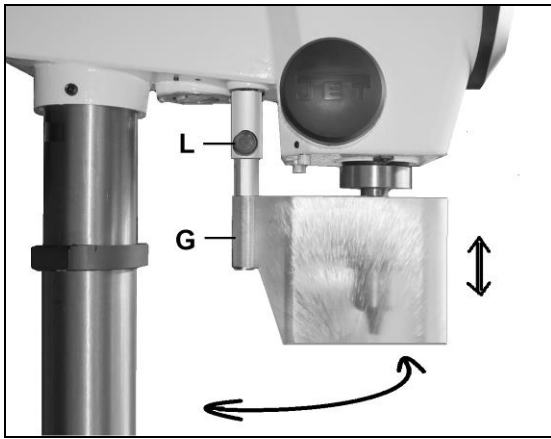


Fig 15

**ATTENTION:**

The chuck guard is electrically interlocked. For machine operation, the chuck guard must be closed.

**5.3 Mains connection**

Mains connection and any extension cords and plugs used must comply with the information on the machine licence plate.

The mains connection must have a 10A surge-proof fuse.

Only use connection cables marked H07RN-F, with wires 1,5mm<sup>2</sup> or more.

Power cords and plugs must be free from defects.

Connections and repairs to the electrical equipment may only be carried out by qualified electricians.

The machine is equipped with 1.8m power cord and plug.

**ATTENTION:**

-Check at first if the machine spindle rotates freely and if all safety devices are fitted before starting the machine.

- If the direction of rotation is not correct, the phase converter inside the CCE Euro plug must be pushed in and turned 180° (400V version only).

Clockwise direction of the spindle is correct.

**5.4 Dust collection**

Wood dust is explosive and can represent a risk to health.

Assure good work area ventilation.

Use a suitable dust collection and air filtration system to avoid a high dust concentration in the air.

Dust the machine down after each use and as necessary.

**5.5 Starting operation**

Start the machine with the green ON-button (C, Fig 16).

The red OFF-button (B) stops the machine.

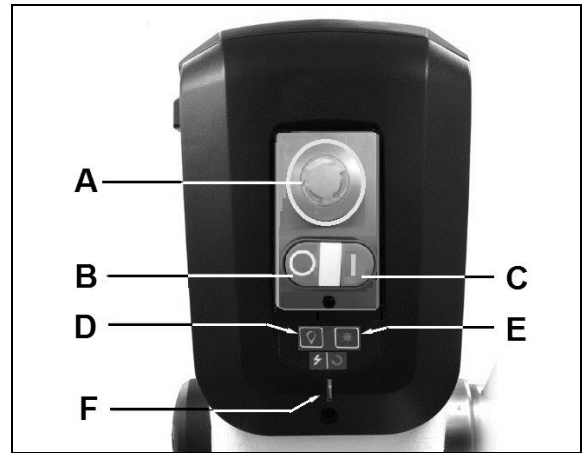


Fig 16

The E-stop button (A) stops all machine functions.

The machine lamp can be turned ON/OFF independently (D).

The cross laser can be turned ON/OFF independently (E).

**ATTENTION:**

In case of machine overload the motor overload cut-off will react. After appr.10 min of cooling the machine can be started again.

Cuck guard and pulley cover are electrically interlocked. For machine operation, both must be closed.

The LED indicator (F) will display a "white" light in the ready state; whenever there is power connected to the drill press.

The LED indicator (D) will display a "green" light when the start button has been pressed and the drill press is operating.

**6. Machine operation**

Before each operation of your drill press, check that all locking handles, set screws, bolts, etc., are tight on the table and head. Confirm that the drill bit is securely inserted inside the chuck jaws.

Clear all items, such as tools and rags, away from machine.

Before attempting regular work, get the feel of the drill press by practicing on scrap material. For best results, always use sharp bits, and proper spindle speeds and feed rates.

For through-boring, remove the table insert.

To minimize tear-out, place a piece of scrap wood on the table below the work piece.

Always adjust the table and the depth stop to prevent drilling into the table. Use a back-up piece of scrap wood to cover the table. This protects both the table and the drill bit.

Secure work piece to the table with clamps or a vice to prevent rotating with the drill bit.

Feed the bit into the material with only enough force to allow the drill bit to work. Feeding too slowly may cause burning of the work piece. Feeding too quickly may cause the motor to stop and/or the drill bit to break.

## Recommended speeds for a 10mm HSS drill bit:

Soft Wood:	3000 RPM
Hard Wood:	1500 RPM
Plastic:	3000 RPM
Aluminium:	3000 RPM
Brass:	1000 RPM
Cast iron:	1000 RPM
Mild steel:	800 RPM
High carbon steel:	600 RPM
Stainless steel:	300 RPM

Generally speaking, the smaller in relation the drill bit, the greater the RPM required.

Wood requires higher speeds than metal.  
Metal is usually drilled at slower speeds; cutting oil is applied if necessary.

Use the speed chart (Fig 17) provided inside the pulley cover as a general guideline.

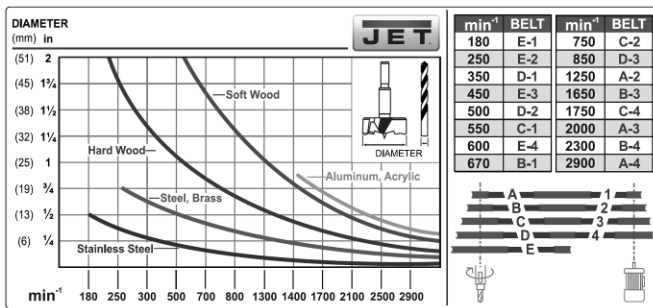


Fig 17

### ATTENTION:

Always keep your hands well clear of the rotating bit.

Do not remove chips and workpiece parts until the machine is at a standstill.

Do not remove chips or debris with your hands-use a brush or chip hook.

Close the chuck guard and pulley cover before you start the machine.

When using a drill press vice, always fasten it to the table.

Never do any works "freehand" (hand-holding the work piece rather than supporting it on the table).

Support long workpieces with helping roller stands.

Do not use wire wheels, router bits, shaper cutters, circle cutters, or rotary planers on this drill press.

Never cut magnesium-  
high danger of fire!

Do not stare into beam of cross laser.

Do not view directly with optical instruments

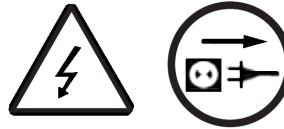
Do not point the laser beam at people or animals.

Do not use the laser beam on highly reflective materials.  
Reflected laser light is dangerous.

## 7. Setup and adjustments

### General note:

Setup and adjustment work may only be carried out after the machine is protected against accidental starting by pulling the mains plug, push the E-stop button.



### 7.1 Removing the Chuck and Arbor

Push the E-stop button.

Lower the quill using the down feed handle.

Lock it in the lowered position (see chapter 7.3)

Rotate the spindle to align the key in the spindle with the key hole in the quill.

Protect the table surface.

Insert the drift key (HP1, Fig 18) into the aligned slots and tap lightly. Catch the chuck and arbor assembly as it falls away from the spindle.

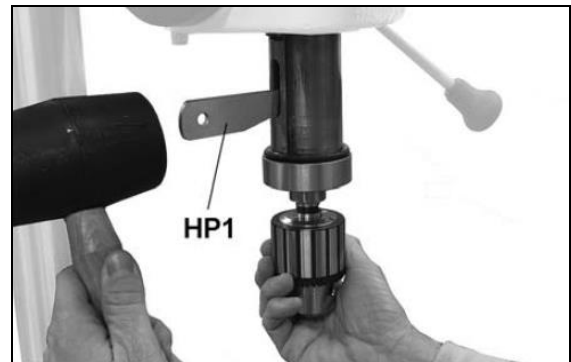


Fig 18

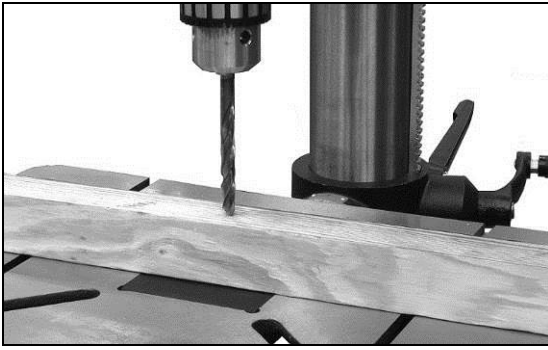
### 7.2 Adjusting the Depth Stop

To drill multiple holes at the same pre-set depth, use the depth stop:

#### Method 1:

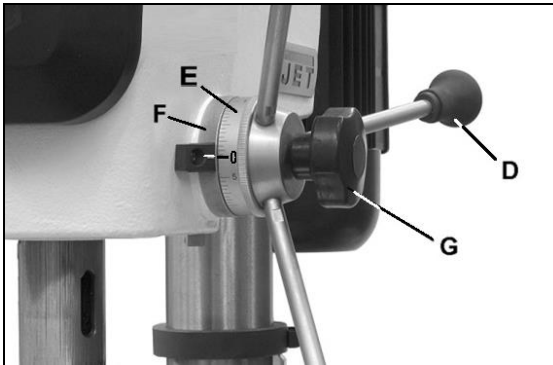
Loosen the lock handle (G, Fig 20).

With the drill bit in the chuck, rotate the down feed handle (D) to advance the drill bit until it just contacts the top surface of workpiece. Fig 19



**Fig 19**

Rotate the scale ring (E, Fig 20) to zero. This sets the workpiece surface as your zero reference point.



**Fig 20**

Move workpiece out from under bit.

Rotate the down feed handle until the scale ring reads your desired depth.

Turn the stop ring (F) counter-clockwise until it stops moving.

Tighten the lock handle (G).

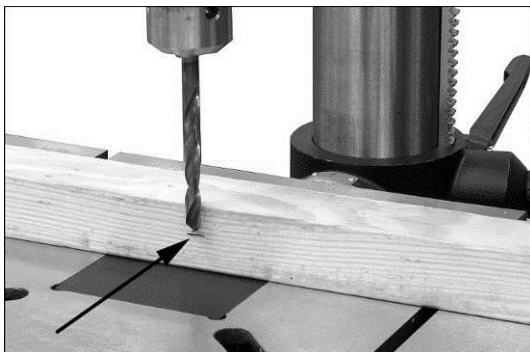
The drill bit will now advance only to this point.

**Method 2:**

Mark the desired depth of cut on the side of the workpiece.

Loosen the lock handle (G, )

Lower the drill bit to the marked position (Fig 21).



**Fig 21**

Loosen the lock handle (G).

Turn the stop ring (F, Fig 20) counter-clockwise until it stops moving.

Tighten the lock handle (G).

The drill bit will now advance only to this point.

**Note:**

For fine adjustment, slightly loosen lock handle (G) and delicately further advance downfeed handle (D).

Retighten lock handle (G).

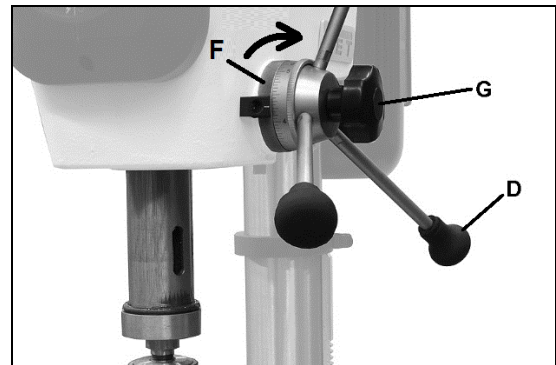
**7.3 Adjusting quill retraction lock:**

The quill can be held in the down position and prevented from retracting, such as to facilitate removal of chuck and arbor.

Loosen the lock handle (G).

Rotate the down feed handle (D) to the desired depth.

Rotate lock ring (F, Fig 22) clockwise all the way until it stops.



**Fig 22**

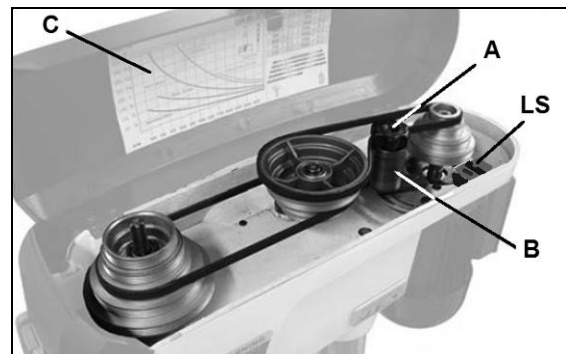
Tighten lock handle (G)

The quill will stay in this position.

**7.4 Changing Spindle Speeds**

Open the pulley cover.

A spindle speed and belt arrangement chart (C, Fig 23) is found on the inside of the pulley cover. Refer to this chart whenever changing speeds.



**Fig 23**

Loosen knob (A) and move pull tensioner (B) away from belt to release tension.

Change the belts location according the speed chart.

Make sure the belts are properly seated in the groves of each pulley.

Tension the belt.

Close the pulley cover.

**Note:**

The pulley cover is electrically interlocked (LS).  
For machine operation the pulley cover must be closed.

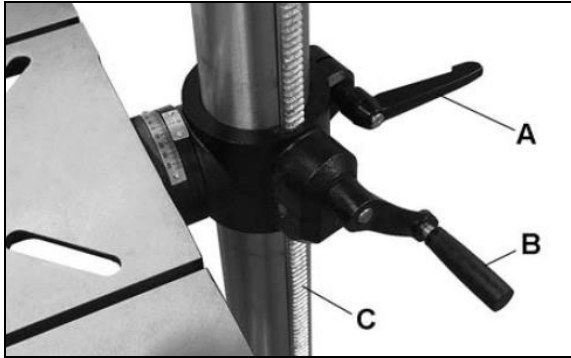
### 7.5 Table Movements

Push the E-stop button.

Loosen column locking handle (A, Fig 24).

Turn table elevating crank (B) to raise or lower table.

Re-tighten locking handle (A) before attempting to drill.



**Fig 24**

**Note:**

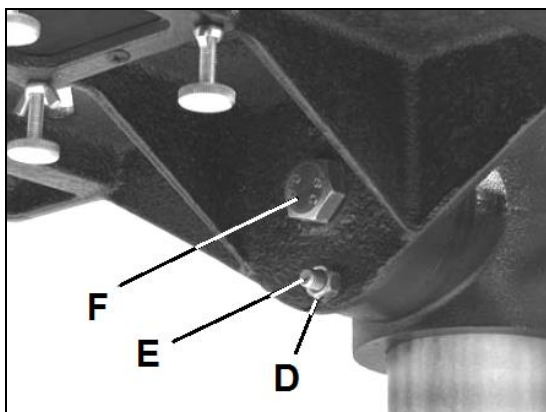
When drilling a large workpiece, swing table out of the way and use base as your table.

Slots in base and table can be used to mount workpiece or work- holding devices.

### 7.6 Table Tilt Adjustment

Push the E-stop button.

Remove the alignment pin (E, Fig 25) first, by turning the nut (D) clockwise.



**Fig 25**

Loosen the hex cap bolt (C) to tilt the table.

Tighten the hex cap bolt.

**ATTENTION:**

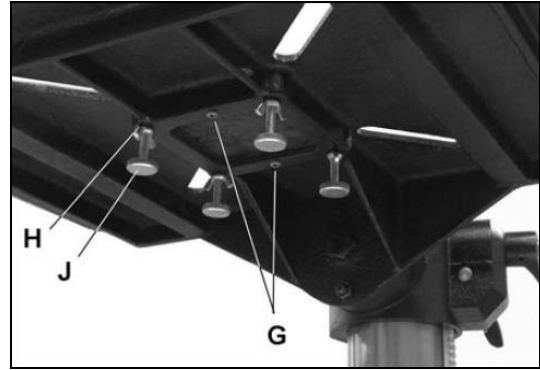
Only loosen the hex cap bolt slightly, otherwise the table assembly will separate from the column and fall.

The alignment pin only works at 0° and must be reinserted when the table is returned to 0°.

### 7.7 Table Insert Levelling

The insert should be flush with the table surface:

Loosen the two screws beneath table insert (G, Fig 26).



**Fig 26**

Loosen wing nuts (H) and rotate the bolts (J) as needed.

**MDF-table insert:**

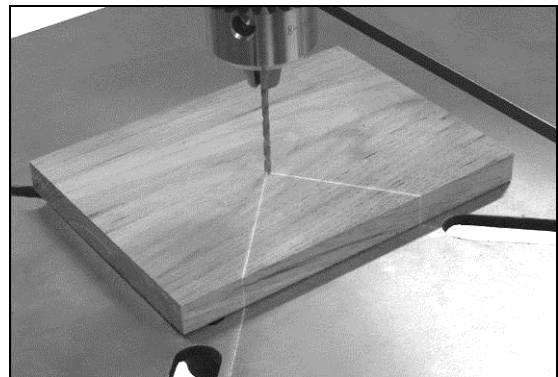
95x95mm, 16-19mm thick (JET Article no.: JDP17-130)

### 7.8 Cross Laser Adjustment

The lasers are designed for use with twist drill bits.

There will be shadowing with wider tools, such as Forstner bits, therefore use will be limited.

The two laser beams need to meet at the drill centre (Fig 27).



**Fig 27**

The Laser Assembly has been installed and pre-set at the factory.

To adjust, install a small drill bit and rotate lasers (L, Fig 28) gently with a set of pliers.

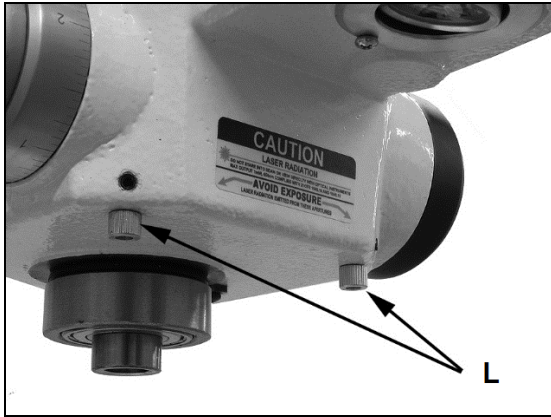


Fig 28

**ATTENTION:**

**Class 2 Laser**



- Do not stare into beam of laser
- Do not view directly with optical instruments
- Do not point the laser beam at people or animals.
- Do not use the laser beam on highly reflective materials. Reflected laser light is dangerous.
- A defective laser beamer may be replaced only, not repaired.

**7.9 LED Work Light Adjustment**

The integrated LED work light is adjustable.  
Push on the rim of the light to adjust (Fig 29).

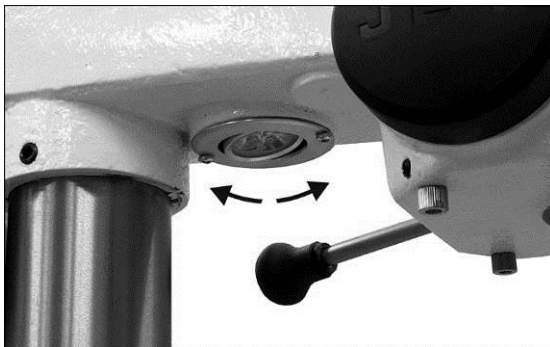


Figure 29

**7.10 Return Spring Adjustment**

Disconnect the machine from the power source (unplug).  
The return spring is adjusted at the factory and should not need further adjustment. If adjustment is necessary:  
Unplug the machine from the power source.

Pull off cap (A, Fig 30)

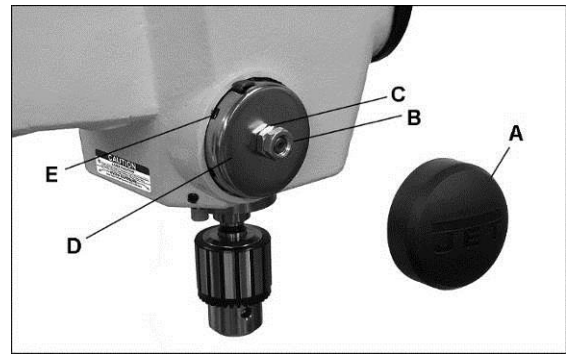


Fig 30

Loosen two jam nuts (B, C) approximately 3mm.

Firmly hold the coil spring cover (D).

Pull out the cover and rotate until the pin (E) on the return spring plate engages the next notch in the coil spring cover. Turn the cover clockwise to decrease tension and counter-clockwise to increase tension.

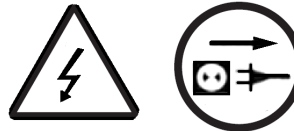
Tighten two jam nuts (B, C). Do not over-tighten. Nuts should not contact the housing when tight.

Install cap (A).

**8. Maintenance and inspection**

**General notes:**

**Maintenance, cleaning and repair work may only be carried out after the machine is protected against accidental starting by pulling the mains plug.**



After each use, remove chips and sawdust.

Clean the machine regularly.

Periodically lubricate gently with grease:  
-the drive splines (grooves) in the spindle  
-the teeth of the quill  
-the rack

Periodically apply a light film of oil to quill and column. This will reduce wear, prevent rust and assure ease of operation.

Exposed metal surfaces of table and base should be kept clean and free of rust. Apply protective spray or paste wax.

Check that bolts all are tight

Check that electrical cords are in good condition.

Make sure the motor fan and fan cover are kept clear of sawdust. Periodically blow out any dust.

Periodically check the proper function of the safety devices.

- Chuck guard limit switch
- Pulley cover limit switch
- E-stop button

Defective safety devices must be replaced immediately.

Repair and maintenance work on the electrical system may only be carried out by a qualified electrician.

If the drill press is not to be used for an extended period, reduce the belt tension.

## **9. Trouble shooting**

### **Motor doesn't start**

- \*No electricity-  
check mains and fuse.
- \*Defective switch, motor or cord-  
consult an electrician.
- \*Overload has reacted-  
Wait and restart.
- \*Chuck guard or pulley cover open-  
Close chuck guard.  
Close pulley cover

### **Chuck will not stay on spindle**

- \*Oil or grease on contact surfaces-  
clean the tapered surfaces of chuck and spindle.

### **Machine vibration**

- \*Incorrect belt tension-  
Adjust belt tension.
- \*Dry spindle quill-  
lubricate spindle quill.
- \*Spindle pulley loose-  
tighten retaining nut.
- \*Motor pulley loose-  
Tighten set screw.
- \*dull drill bit-  
re-sharpen drill bit.

### **Drill bit burns**

- \*incorrect speed-  
reduce speed.

\*Chips clogged-  
retract drill bit frequently

\*dull drill bit-  
re-sharpen drill bit.

\*feeding too slow-  
feed faster.

### **Drill leads off**

- \*cutting lips or angle not equal-  
re-sharpen drill bit correctly.
- \*drilled hole off centre-  
drill a pilot hole first.
- \*bent drill bit-  
use a proper drill bit.
- \*drill bit not properly installed-  
install drill bit correctly.

### **Laser cross not on drill centre**

- \*laser cross not adjusted correct-  
adjust lasers (see chapter 7.8)

### **Laser doesn't work**

- \*Defective line laser or power supply-  
consult an electrician

A defective laser beamer may be replaced only, not repaired.

## **10. Environmental protection**

Protect the environment.

Your appliance contains valuable materials which can be recovered or recycled. Please leave it at a specialized institution.

## **11. Available accessories**

Refer to the JET price-list

# DE - DEUTSCH

## Gebrauchsanleitung

Sehr geehrter Kunde,

vielen Dank für das Vertrauen, welches Sie uns beim Kauf Ihrer neuen JET-Maschine entgegengebracht haben. Diese Anleitung ist für den Inhaber und die Bediener zum Zweck einer sicheren Inbetriebnahme, Bedienung und Wartung der **Bohrmaschinen JDP-15B, JDP-15F, JDP-17** erstellt worden. Beachten Sie bitte die Informationen dieser Gebrauchsanleitung und der beiliegenden Dokumente. Lesen Sie diese Anleitung vollständig, insbesondere die Sicherheitshinweise, bevor Sie die Maschine zusammenbauen, in Betrieb nehmen oder warten. Um eine maximale Lebensdauer und Leistungsfähigkeit Ihrer Maschine zu erreichen befolgen Sie bitte sorgfältig die Anweisungen.

### Inhaltsverzeichnis

#### 1. Konformitätserklärung

#### 2. Garantieleistungen

#### 3. Sicherheit

Bestimmungsgemäße Verwendung  
Allgemeine Sicherheitshinweise  
Restrisiken

#### 4. Maschinenspezifikation

Technische Daten  
Schallemission  
Lieferumfang  
Produkteigenschaften  
Überblick

#### 5. Transport und Inbetriebnahme

Transport und Aufstellung  
Montage  
Elektrischer Anschluss  
Absaug-Anschluss  
Inbetriebnahme

#### 6. Betrieb der Maschine

#### 7. Rüst- und Einstellarbeiten

Bohrfutterwechsel  
Bohrtiefenanschlag Einstellung  
Pinolen-Rückzugsbegrenzung  
Drehzahlwechsel  
Tischverstellung  
Tischschwenkung  
Tischeinlage  
Kreuzlaser Einstellung  
LED Maschinenleuchte  
Pinolen Rückzugsfeder Einstellung

#### 8. Wartung und Inspektion

#### 9. Störungsabhilfe

#### 10. Umweltschutz

#### 11. Lieferbares Zubehör

### 1. Konformitätserklärung

Wir erklären in alleiniger Verantwortlichkeit, dass dieses Produkt mit den auf Seite 2 angegebenen Richtlinien\* übereinstimmt.

Bei der Konstruktion wurden folgende Normen\*\* berücksichtigt.

### 2. Garantieleistungen

Der Verkäufer garantiert, dass das gelieferte Produkt frei von Material- und Fertigungsfehlern ist. Diese Garantie trifft nicht auf jene Defekte zu, welche auf direkten oder indirekten, nicht fachgerechten Gebrauch, Unachtsamkeit, Unfallschaden, Reparatur, mangelhafte Wartung bzw. Reinigung sowie normalen Verschleiß zurückzuführen sind.

Garantie- bzw. Gewährleistungsansprüche müssen innerhalb von 12 Monaten ab dem Verkaufsdatum (Rechnungsdatum) geltend gemacht werden. Weitergehende Ansprüche sind ausgeschlossen.

Die vorliegende Garantie umfasst sämtliche Garantieverpflichtungen seitens des Verkäufers und ersetzt alle früheren Erklärungen und Vereinbarungen betreffend Garantien.

Die Garantiefrist gilt für eine tägliche Betriebszeit von 8 Stunden. Wird diese überschritten, so verkürzt sich die Garantiefrist proportional zur Überschreitung, jedoch höchstens auf 3 Monate.

Die Rücksendung beanstandeter Ware bedarf der ausdrücklichen vorherigen Zustimmung vom Verkäufer und geht auf Kosten und Gefahr des Käufers.

Die ausführlichen Garantieleistungen sind den Allgemeinen Geschäftsbedingungen (AGB) zu entnehmen. Die AGB sind unter [www.jettools.com](http://www.jettools.com) einzusehen oder werden auf Anfrage per Post zugestellt.

Der Verkäufer behält sich das Recht vor, jederzeit Änderungen am Produkt und Zubehör vorzunehmen.

### 3. Sicherheit

#### 3.1 Bestimmungsgemäße Verwendung

Diese Bohrmaschine ist ausschließlich zum Bohren von Holz und von zerspanbaren Kunststoffen und Metallen geeignet. Die Bearbeitung anderer Werkstoffe ist nicht zulässig bzw. darf in Sonderfällen nur nach Rücksprache mit dem Maschinenhersteller erfolgen.

#### **Niemals Magnesium zerspanen- Hohe Feuergefahr!**

Es dürfen nur Werkstücke bearbeitet werden welche sicher zugeführt und gespannt werden können.

Die bestimmungsgemäße Verwendung beinhaltet auch die Einhaltung der vom Hersteller angegebenen Betriebs- und Wartungsanweisungen.



Die Maschine darf ausschließlich von Personen bedient werden, die mit Betrieb und Wartung vertraut und über die Gefahren unterrichtet sind.

Das gesetzliche Mindestalter ist einzuhalten.

Die Maschine nur in technisch einwandfreiem Zustand mit montierten Schutzeinrichtungen betreiben.

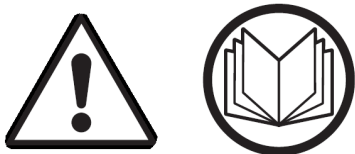
Neben den in der Gebrauchsanleitung enthaltenen Sicherheitshinweisen und den besonderen Vorschriften Ihres Landes sind die für den Betrieb von Holz- und Metallbearbeitungsmaschinen allgemein anerkannten fachtechnischen Regeln zu beachten.

Jeder darüber hinaus gehende Gebrauch gilt als nicht bestimmungsgemäß und für daraus resultierende Schäden haftet der Hersteller nicht. Das Risiko trägt allein der Benutzer.

### 3.2 Allgemeine Sicherheitshinweise

Holz- und Metallbearbeitungsmaschinen können bei unsachgemäßem Gebrauch gefährlich sein. Deshalb ist zum sicheren Betreiben die Beachtung der zutreffenden Unfallverhütungs-Vorschriften und der nachfolgenden Hinweise erforderlich.

Lesen und verstehen Sie die komplette Gebrauchsanleitung bevor Sie mit Montage oder Betrieb der Maschine beginnen.



Bewahren Sie die Bedienungsanleitung, geschützt vor Schmutz und Feuchtigkeit, bei der Maschine auf, und geben Sie sie an einen neuen Eigentümer weiter.

An der Maschine dürfen keine Veränderungen, An- und Umbauten vorgenommen werden.

Überprüfen Sie täglich vor dem Einschalten der Maschine die einwandfreie Funktion und das Vorhandensein der erforderlichen Schutzeinrichtungen.

Festgestellte Mängel an der Maschine oder den Sicherheitseinrichtungen sind zu melden und von den beauftragten Personen zu beheben. Nehmen Sie die Maschine in solchen Fällen nicht in Betrieb, sichern Sie die Maschine gegen Einschalten durch Ziehen des Netzsteckers.

Zum Schutz von langem Kopfhaar Mütze oder Haarnetz aufsetzen.

Beim Arbeiten an der Maschine **keine Handschuhe** tragen.



Enganliegende Kleidung tragen, Schmuck, Ringe und Armbanduhr ablegen.

Tragen Sie Schutzschuhe, keinesfalls Freizeitschuhe oder Sandalen.

Verwenden Sie die durch Vorschriften geforderte persönliche Schutzausrüstung.

- Augenschutz
- Gehörschutz
- Staubschutz



Die Maschine so aufstellen, dass genügend Platz zum Bedienen und zum Führen der Werkstücke gegeben ist.

Sorgen Sie für gute Beleuchtung.

Die Maschine ist für den Betrieb in geschlossenen Räumen. Achten Sie darauf, dass sie standsicher auf festem und ebenem Grund steht.

**Um Kippen zu vermeiden, muss die Maschine am Boden festgeschraubt werden !**

Beachten Sie dass die elektrische Zuleitung nicht den Arbeitsablauf behindert und nicht zur Stolperstelle wird.

Bewegen Sie das Werkzeug niemals am Netzkabel, ziehen Sie nicht am Kabel um den Stecker aus der Steckdose zu ziehen.

Halten Sie Kabel fern von Hitze, Öl und scharfen Kanten.

Den Arbeitsplatz frei von Abfällen, Ölen, Staub, behindernden Werkstücken, etc. halten.

Achten Sie darauf, dass die Motor-Lüftungsschlitze immer frei und sauber sind.

Seien Sie aufmerksam und konzentriert. Gehen Sie mit Vernunft an die Arbeit.

Achten Sie auf eine ergonomische Körperhaltung. Sorgen Sie für sicheren Stand und halten Sie jederzeit das Gleichgewicht.

Bedienen Sie die Maschine nicht, wenn Sie müde sind.

Arbeiten Sie niemals unter dem Einfluss von Rauschmitteln wie Alkohol und Drogen an der Maschine. Beachten Sie, dass auch Medikamente Einfluss auf Ihr Verhalten nehmen können.

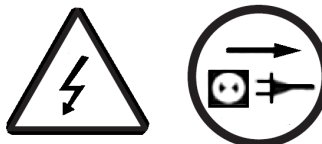
Halten Sie Unbeteiligte, insbesondere Kinder vom Gefahrenbereich fern.

Niemals in die laufende Maschine greifen.

Die laufende Maschine nie unbeaufsichtigt lassen. Vor dem Verlassen des Arbeitsplatzes die Maschine ausschalten.

Bei Nichtgebrauch der Maschine diese ausstecken.

Umrüst-, Einstell- und Reinigungsarbeiten nur im Maschinenstillstand und bei gezogenem Netzstecker vornehmen.



Vor dem Maschinenstart, entfernen Sie alle losen Teile wie Werkzeug, Putztücher, etc.

Benützen Sie die Maschine nicht in der Nähe von brennbaren Flüssigkeiten oder Gasen.

Beachten Sie die Brandmelde- und Brandbekämpfungsmöglichkeiten z.B. Standort und Bedienung von Feuerlöschern.

Benützen Sie die Maschine nicht in feuchter Umgebung und setzen Sie sie nicht dem Regen aus.

Achten Sie stets darauf, dass keine zu große Staubkonzentration entsteht – verwenden Sie stets eine geeignete Absauganlage. Holzstaub ist explosiv und kann gesundheitsschädigend sein. Insbesondere tropische Hölzer und harte Hölzer wie Buche und Eiche sind als krebserregend eingestuft.

Vor der Bearbeitung Nägel und andere Fremdkörper aus dem Werkstück entfernen.

Arbeiten Sie nie ohne Bohrfutterschutz.

Entfernen Sie vor dem Start den Bohrfutterschlüssel und andere Werkzeuge.

Späne und Werkstückteile nur bei stehender Maschine entfernen.

Späne nicht mit der Hand entfernen, Handbesen oder Spänehaken verwenden.

Vorsicht beim Werkzeugwechsel. Bohrer sind scharfkantig und können bei der Zerspanung sehr heiß werden.

Nur mit gut geschärften Werkzeugen arbeiten.

Die Maschine nur starten, wenn Bohrer und Werkstück sich nicht berühren.

Die Maschine nicht überfordern. Sie arbeitet viel besser und hält länger, wenn sie der Leistung entsprechend eingesetzt wird.

Angaben über die min. und max. Werkstückabmessungen müssen eingehalten werden.

Halten Sie mit ihren Fingern ausreichend Abstand zum rotierenden Bohrwerkzeug, beachten Sie dass das Werkstück oder Ihre Hände verrutschen können.

Bearbeiten Sie nur ein Werkstück, welches sicher aufliegt.

Sichern Sie das Werkstück gegen Mitdrehen. Verwenden Sie Zwingen, einen Schraubstock oder eine Hilfsvorrichtung um das Werkstück zu fixieren. Halten Sie das Werkstück niemals mit den Händen allein.

Zum Festklemmen des Werkstücks am Tisch, verwenden Sie die Tischnuten oder am Tischrand angesetzte Schraubzwingen.

Einen Schraubstock immer am Tisch festschrauben.

Falls die Schwerpunktlage des Werkstückes außerhalb des Tisches liegt, klemmen Sie es am Tisch fest oder stützen Sie es mit einem Rollenbock ab.

Verwenden Sie keine Bürstwerkzeuge, Fräswerkzeuge, Kreisschneider und Schleifscheiben auf dieser Maschine.

Überprüfen Sie die korrekte Befestigung des Bohrers und des Bohrtisches bevor Sie mit der Maschine arbeiten.

Führen Sie bei laufender Maschine keine Verstellung am Bohrtisch durch.

Nicht auf der Maschine stehen.

Die Maschine nie bei entfernten Schutzeinrichtungen in Betrieb nehmen – große Verletzungsgefahr!

Arbeiten an der elektrischen Ausrüstung der Maschine dürfen nur durch eine Elektrofachkraft vorgenommen werden.

Verlängerungskabel immer ganz von der Trommel abwickeln.

Tauschen Sie ein beschädigtes Netzkabel sofort aus.

Niemals die Maschine benutzen, wenn der Ein-Ausschalter nicht ordnungsgemäß funktioniert.

Der Gebrauch von anderen als in dieser Gebrauchsanweisung empfohlenen Zubehörteilen oder Zusatzgeräten kann eine Verletzungsgefahr darstellen.

Achtung vor wegfliegenden Teilen bei der Rückholfeder Einstellung.

Niemals in den Laserstrahl schauen.



Richten Sie den Laserstrahl nicht auf Personen oder Tiere.

Verwenden Sie den Linienlaser nicht bei stark reflektierendem Material. Reflektiertes Laser-Licht ist gefährlich.

Ein defekter Laser darf nicht repariert werden, nur getauscht.

### 3.3 Restrisiken

Auch bei vorschriftsmäßiger Benutzung der Maschine bestehen die nachfolgend aufgeführten Restrisiken.

Verletzungsgefahr durch den rotierenden Bohrer.

Gefährdung durch wegfliegende Werkstücke und Werkstückteile.

Gefährdung durch Kippen des Werkstücks bei unzureichender Abstützung.

Gefährdung durch Lärm und Staub. Unbedingt persönliche Schutzausrüstungen wie Augen-, Gehör- und Staubschutz tragen. Für gute Belüftung sorgen! Eine geeignete Absauganlage einsetzen!

Gefährdung durch Strom, bei nicht ordnungsgemäßer Verkabelung.

## 4. Maschinenspezifikation

### 4.1 Technische Daten

Netzanschluss	230V ~1L/N/PE 50Hz
Motor-Abgabeleistung	0.55kW (0,75 PS) S1
Betriebsstrom	3.7 A
Klasse 2 Laser	<1mW, 650nm
Maschinenleuchte	LED
Anschlussleitung (H07RN-F):	3x1,5 <sup>2</sup> mm
Bauseitige Absicherung	10A
Isolationsklasse	I

Netzanschluss	400V ~3L/N/PE 50Hz
Motor-Abgabeleistung	0.55kW (0,75 PS) S1
Betriebsstrom	1.6 A
Klasse 2 Laser	<1mW, 650nm
Maschinenleuchte	LED
Anschlussleitung (H07RN-F):	5x1,5 <sup>2</sup> mm
Bauseitige Absicherung	10A
Isolationsklasse	I

#### JDP-15B:

Drehzahlen	16
Drehzahlbereich	180 - 2900 U/min
Spindelaufnahme	MK2
Schnellspannbohrfutter (Dorn MK2/B16)	1-16mm
Bohrhub	80mm
Pinolendurchmesser	47mm
Abstand Spindel zur Säule	190mm
Abstand Spindel zum Tisch	max. 471mm
Abstand Spindel zum Sockel	683mm

Tischgröße Tiefe x Breite	320 x 454mm
Tischnuten (4x)	15 x 70mm
Tisch T-Nuten (2x)	13mm
Tisch T-Nut Abstand	270mm
Tischeinlage (MDF)	95 x 95 x 16-19mm
Tischschwenkung	+/- 90°
Tischbelastung (Werkstückgewicht)	max. 30kg

Säulendurchmesser	73mm
Sockelgröße T x B	460 x 288mm
Sockel Aufspannfläche T x B	200 x 240mm
Sockel-Nuten (2x)	15 x 160mm
Nutabstand	126mm
Abstand der Ankerbohrungen (2x Ø11)	200mm

Gesamt Abmessung T x B x H	677 x 434 x 1115mm
Maschinen Nettogewicht	71 kg

#### JDP-15F:

Drehzahlen	16
Drehzahlbereich	180 - 2900 U/min
Spindelaufnahme	MK2
Schnellspannbohrfutter (Dorn MK2/B16)	1-16mm
Bohrhub	80mm
Pinolendurchmesser	47mm
Abstand Spindel zur Säule	190mm
Abstand Spindel zum Tisch	max. 778mm
Abstand Spindel zum Sockel	1182mm

Tischgröße Tiefe x Breite	320 x 454mm
Tischnuten (4x)	15 x 70mm
Tisch T-Nuten (2x)	13mm
Tisch T-Nut Abstand	270mm
Tischeinlage (MDF)	95 x 95 x 16-19mm
Tischschwenkung	+/- 90°
Tischbelastung (Werkstückgewicht)	max. 30kg

Säulendurchmesser	73mm
Sockelgröße T x B	480 x 288mm
Sockel Aufspannfläche T x B	200 x 240mm
Sockel-Nuten (2x)	15 x 160mm
Nutabstand	126mm
Abstand der Ankerbohrungen (2x Ø11)	200mm
Gesamt Abmessung T x B x H	677 x 434 x 1623mm
Maschinen Nettogewicht	79 kg

#### JDP-17:

Drehzahlen	16
Drehzahlbereich	180 - 2900 U/min
Spindelaufnahme	MK2
Schnellspannbohrfutter (Dorn MK2/B16)	1-16mm
Bohrhub	127mm
Pinolendurchmesser	52mm
Abstand Spindel zur Säule	215mm
Abstand Spindel zum Tisch	max. 763mm
Abstand Spindel zum Sockel	1194mm

Tischgröße Tiefe x Breite	356 x 483mm
Tischnuten (4x)	15 x 79mm
Tisch T-Nuten (2x)	13mm
Tisch T-Nut Abstand	270mm
Tischeinlage (MDF)	95 x 95 x 16-19mm
Tischschwenkung	+/- 90°
Tischbelastung (Werkstückgewicht)	max. 30kg

Säulendurchmesser	80mm
Sockelgröße T x B	507 x 328mm
Sockel Aufspannfläche T x B	217 x 271mm
Sockel-Nuten (2x)	15 x 178mm
Nutabstand	130mm
Abstand der Ankerbohrungen (2x Ø11)	200mm

Gesamt Abmessung T x B x H	723 x 483 x 1679mm
Maschinen Nettogewicht	86 kg

#### 4.2 Schallemission

Schalldruckpegel  
(nach EN ISO 11202, Messunsicherheit 4dB):  
Leerlauf, 2300 U/min LpA 70 dB(A)

Die angegebenen Werte sind Emissionspegel und sind nicht notwendigerweise Pegel für sicheres Arbeiten. Sie sollen dem Anwender eine Abschätzung der Gefährdung und des Risikos ermöglichen.

#### 4.3 Lieferumfang

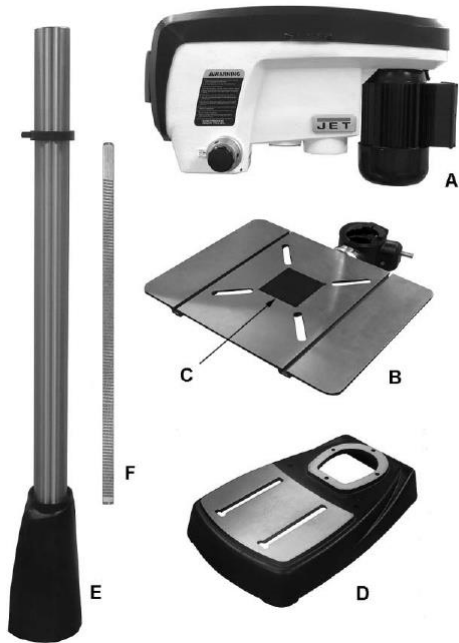


Fig 1

Bohrkopf komplett  
Tisch komplett mit MDF-Tischeinlage  
Sockel  
Säule mit Flansch  
Zahnstange



Fig 2

Auswurfkeil  
Ringschlüssel  
Griffschraube für Tisch-Säulenklammerung  
Kurbel für Tisch Höhenverstellung  
3 Stück Bohrvorschubhebel  
Schneckenwelle für Tisch Höhenverstellung  
Inbusschlüssel  
Schrauben und Scheiben für Sockelmontage  
16mm Schnellspannbohrfutter  
Aufnahmedorn MK2/ B16  
Bohrfutterschutz  
Gebrauchsanleitung  
Ersatzteilliste.

#### 4.4 Produkteigenschaften

Schneller Pinolen-Vorschub, mit nur einer Hebel-Umdrehung

Spannrolle mit Einhand-Bedienung für einfachen Drehzahlwechsel.

Integrierter Bohrtiefenanschlag für Serienarbeiten, mit Skalenering genau einstellbar.

Ein Kreuzlaser zeigt am Werkstück die Bohrmittle an.

Langlebige LED Maschinenleuchte zur Ausleuchtung.

Präzise geschliffener Grauguss Maschinentisch

Große Tischfläche, zwei parallele T-Nuten und 4 offenen Nuten zur flexiblen Aufspannung.

Umlaufend flacher Tischrand, erlaubt das Setzen von Schraubzwingen.

95x95mm Tischeinlage aus MDF, in der Höhe einstellbar, leicht zu ersetzen.

Schwerer Maschinensockel aus Grauguss für Stabilität.

Effizienter Antrieb mit 2 Poly-V-Riemern und durchzugsstarkem Induktionsmotor.

16mm Schnellspann-Bohrfutter mit Dorn MK2/B16.

Durchsichtiger, höhenverstellbarer Bohrfutterschutz mit Endschalter für sicheres Arbeiten.

Riemendeckel mit Endschalter für sicheres Arbeiten.

Separater Not-Halt Taster für sicheres Arbeiten.

## 4.5 Überblick

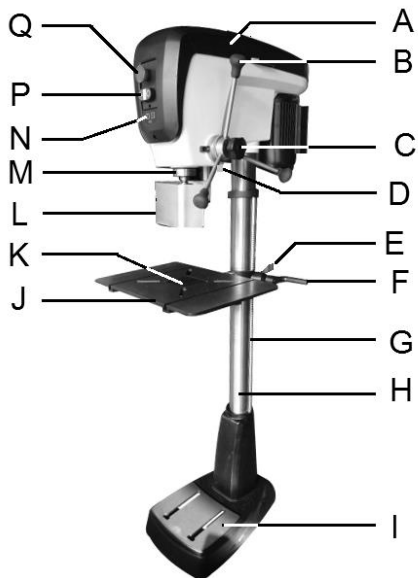


Fig 3

- A...Riemendeckel
- B...Bohrvorschub-Hebel
- C...Bohrtiefenanschlag-Klemmgriff
- D...LED Maschinenleuchte und Kreuzlaser
- E...Säulenklammung
- F...Kurbel für Tisch-Höhenverstellung
- G...Zahnstange
- H...Säule
- I...Sockel
- J...Tisch
- K...Tischeinlage (MDF)
- L...Bohrfutterschutz
- M...Pinole
- N...Schalter für Maschinenleuchte und Kreuzlaser
- P...Motor Ein/Aus Schalter
- Q...Not-Halt Taster

## 5. Transport und Inbetriebnahme

### 5.1. Transport und Aufstellung

Die Aufstellung der Maschine sollte in geschlossenen Räumen erfolgen, werkstattübliche Bedingungen sind dabei ausreichend.

Die Aufstellfläche muss ausreichend eben und belastungsfähig sein.

#### **ACHTUNG:**

**Um ein Kippen zu vermeiden, muss die Maschine mit zwei Ankerschrauben (nicht mitgeliefert) am Boden festgeschraubt werden. Fig 4**

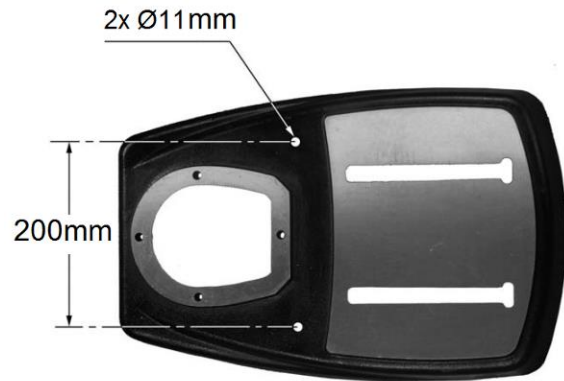


Fig 4

Aus verpackungstechnischen Gründen ist die Maschine nicht komplett montiert.

### 5.2 Montage

Setzen Sie die Maschine nicht unter Spannung, solange sie nicht fertig montiert ist.



Wenn Sie beim Auspacken einen Transportschaden feststellen, benachrichtigen Sie umgehend Ihren Händler, nehmen Sie das Gerät nicht in Betrieb.

Entsorgen Sie die Verpackung bitte umweltgerecht.

Entfernen Sie das Rostschutzfett mit einem milden Lösungsmittel.

Der Gewindestift am Säulenflansch (Fig 5) muss gut festgezogen sein. Bitte prüfen und festziehen.

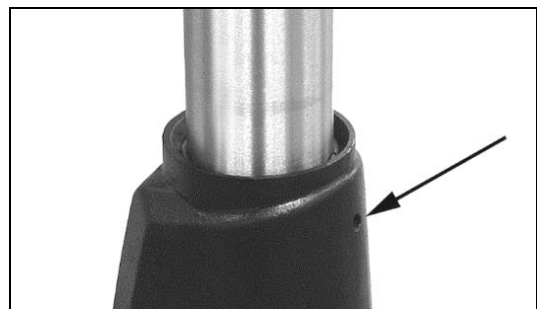


Fig 5

Montieren Sie den Sockel am Säulenflansch mit vier M8 Schrauben und Scheiben (Fig 6).

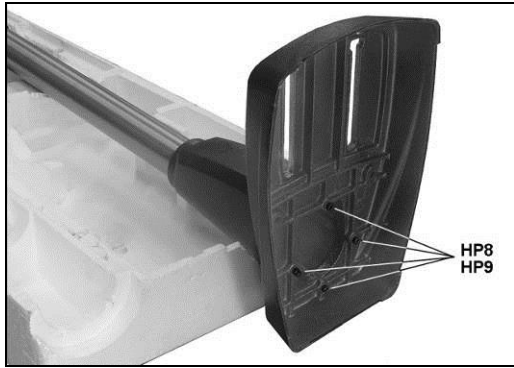


Fig 6

Die Schrauben gut festziehen.

Stellen Sie die Säule auf.

Montieren Sie die Schneckenwelle (HP6, Fig 7).

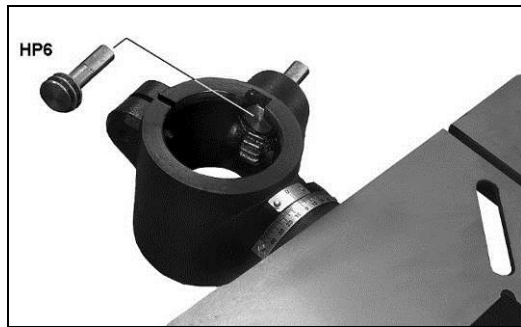


Fig 7

Geben Sie die Zahnstange (F, Fig 8) in die dafür vorgesehene Ausnehmung.

**ACHTUNG:** Das längere zahnfreie Ende muss oben sein.

Mit Hilfe einer zweiten Person, montieren Sie Tisch mit Zahnstange auf die Säule.

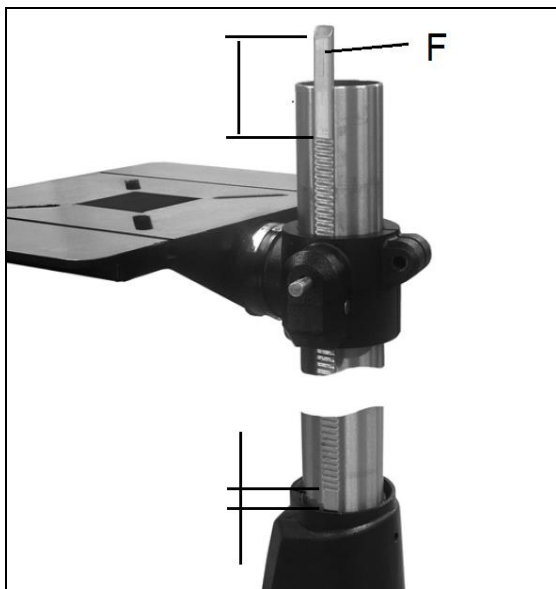


Fig 8

Montieren Sie den Stoppring (G, Fig 9) und ziehen Sie den Gewindestift (J) fest.

**ACHTUNG:**

die Zahnstange muss sich seitlich frei bewegen können.

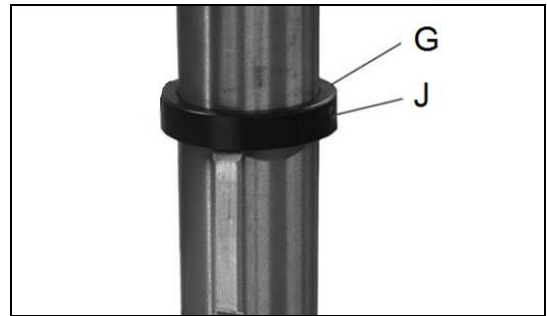


Fig 9

Montieren Sie die Tischkurbel (HP4, Fig 10).

Der Gewindestift (K) muss auf das Flachstück der Schneckenwelle klemmen.

Montieren Sie die Griffschraube zur Säulenklammer (HP3). Der Griff ist unter Zug umsetzbar.

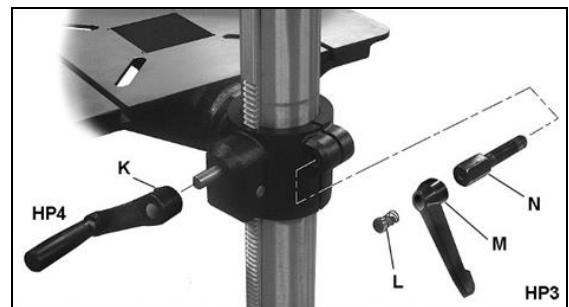


Fig 10

Montieren Sie den Bohrkopf auf die Säule.

**ACHTUNG:**

**Der Bohrkopf ist schwer! Seien Sie vorsichtig und holen Sie sich Hilfe zum Aufsetzen.**

Richten Sie den Bohrkopf parallel zum Maschinensockel aus.

Ziehen Sie die zwei Gewindestifte (O, Fig 11) gut fest.



Fig 11

Montieren Sie die 3 Bohrvorschub-Hebel (HP5, Fig 12).

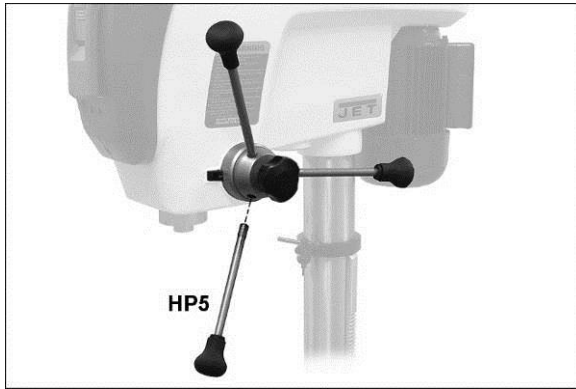


Fig 12

Reinigen Sie die Spindel, den Aufnahmedorn und das Bohrfutter mit einem weichen Tuch und Reinigungsmittel.

**ACHTUNG:**

Die Kontaktflächen müssen vollständig sauber sein. Öl, Fett und andere Rückstände behindern ein ordentliches Festsetzen der Teile. Die Teile könnten sich im Lauf lösen, mit Gefahr für Bediener und Maschine.

Montieren Sie den Aufnahmedorn (HP11, Fig 13) in die Spindel. Drehen Sie den Dorn bis der Mitnehmlappen einrastet.

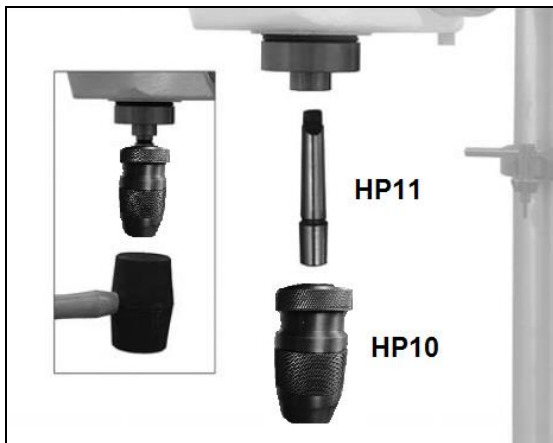


Fig 13

Montieren Sie das Bohrfutter (HP 10) auf den Dorn.

Öffnen Sie das Bohrfutter zur Gänze, damit sich die Backen zurückziehen.

Setzen Sie das Bohrfutter mit zwei bis drei Schlägen mit einem Gummihammer fest. Oder mit einem Holzstück dazwischen bei regulärem Hammer.

**Bohrfutterschutz Montage:**

Lösen Sie die Innensechskantschraube (S, Fig 14) und montieren Sie den Bohrfutterschutz (G).

Ziehen Sie die Schraube (S) wieder fest.

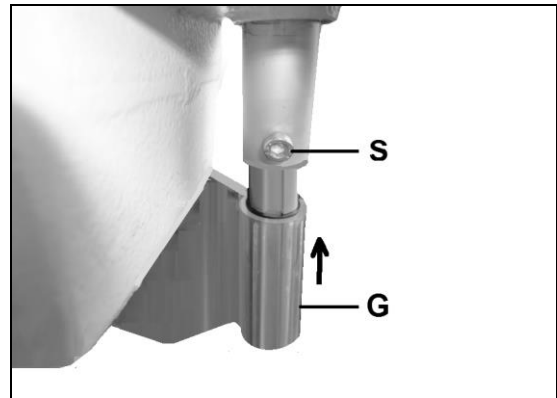


Fig 14

Der Bohrfutterschutz ist in der Höhe verstellbar. Zum Verstellen die Griffschraube (L, Fig 15) lösen.

Der Bohrfutterschutz kann für Rüst- und Einstellarbeiten geöffnet (weggedreht) werden.

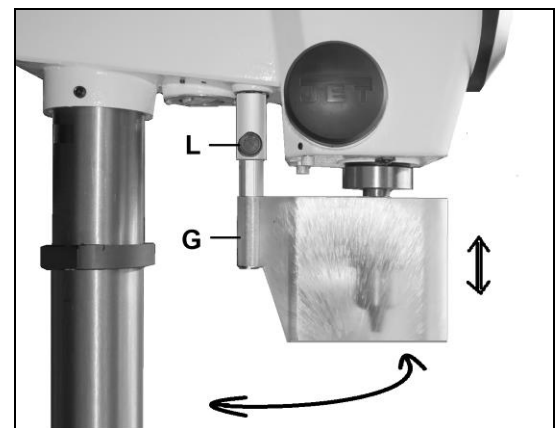


Fig 15

**ACHTUNG:**

Der Bohrfutterschutz ist zu Ihrer Sicherheit mit einem Endschalter überwacht. Bei geöffnetem Schutz lässt sich die Maschine nicht starten.

**5.3 Elektrischer Anschluss**

Der kundenseitige Netzanschluss sowie die verwendeten Verlängerungsleitungen und Stecker müssen den Leistungsschilddaten der Maschine entsprechen.

Die bauliche Absicherung muss dabei 10A betragen.

Verwenden Sie nur Verlängerungsleitungen mit Kennzeichnung H07RN-F, mit einem Mindest-Leiterquerschnitt von 1,5mm<sup>2</sup>

Kabel und Stecker müssen frei von Beschädigung sein.

Anschlüsse und Reparaturen der elektrischen Ausrüstung dürfen nur von einer Elektrofachkraft durchgeführt werden.

Die Maschine hat 1,8m Netzkabel mit Stecker.

**ACHTUNG:**

**Prüfen Sie den freien Lauf der Spindel und das Vorhandensein aller Sicherheitseinrichtungen vor dem Start der Maschine.**

Bei falscher Drehrichtung ist der Phasenwender des CEE-Steckers gedrückt um 180° zu drehen (nur 400V Version).

(Die Spindel muss sich im Uhrzeigersinn drehen).

#### 5.4 Absaug-Anschluss

Holzstaub ist explosiv und gesundheitsschädlich.

Vermeiden Sie eine hohe Luftstaubkonzentration. Sorgen Sie für gute Belüftung. Setzen Sie ein geeignetes Absaug- bzw. Luftfiltersystem ein.

Die Maschine nach jedem Gebrauch und je nach Bedarf absaugen.

#### 5.5 Inbetriebnahme

Mit dem grünen Ein-Taster (C, Fig 16) kann die Maschine gestartet werden.

Mit dem roten Aus-Taster (B) kann die Maschine stillgesetzt werden.

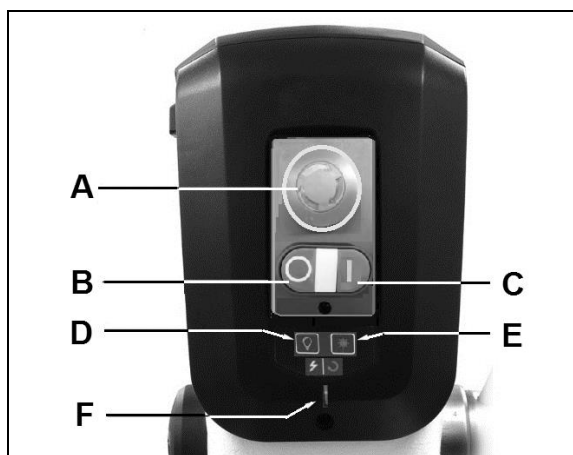


Fig 16

Der Not-Halt Taster (A) stoppt alle Maschinenfunktionen.

Die LED Maschinenleuchte kann unabhängig ein- und ausgeschaltet werden (D)

Der Kreuzlaser kann unabhängig ein- und ausgeschaltet werden (E).

#### **ACHTUNG:**

Bei Überlastung schaltet die Maschine selbsttätig ab. Nach einer Abkühlzeit von ca. 10 Minuten lässt sich die Maschine wieder einschalten.

Bohrfutterschutz und Riemendeckel sind mit Endschalter überwacht. Sie müssen geschlossen sein sonst lässt sich die Maschine nicht starten.

Die Anzeige (F) leuchtet "weiß" bei Maschine eingesteckt und unter Spannung.

Die Anzeige (F) leuchtet "grün" wenn der Motor läuft.

#### 6. Betrieb der Maschine

Prüfen Sie vor dem Maschinenstart, dass alle Griffe und Schrauben an Tisch und Bohrkopf festgezogen sind. Dass der Bohrer im Bohrfutter gut eingespannt ist.

Entfernen Sie alle losen Teile wie Werkzeug, Putztücher, etc.

Machen Sie sich mit der Maschine vertraut. Üben Sie an Abfallstücken. Verwenden Sie immer gut geschärfte Werkzeuge, mit geeigneten Drehzahlen und Vorschüben.

Entfernen Sie die Tischeinlage zum Bohren von Durchgangslöchern.

Um Ausriss zu vermeiden, platzieren Sie ein Stück Abfallholz zwischen Tisch und Werkstück.

Stellen Sie die Tischhöhe und den Bohrtiefenanschlag so ein dass Sie nicht in den Bohrtisch bohren.

Ein Stück Abfallholz als Unterlage schützt sowohl den Bohrer als auch den Bohrtisch.

Sichern Sie das Werkstück gegen Mitnahme durch den Bohrer. Klemmen Sie das Werkstück am Tisch fest oder setzen Sie einen Schraubstock ein.

Wählen Sie die Bohrvorschubkraft so dass der Bohrer zügig bohrt.

Ein zu geringer Bohrvorschub führt zu vorzeitigem Bohrer-Verschleiß und Brandstellen am Werkstück, ein zu hoher Bohrvorschub kann den Motor stoppen oder den Bohrer brechen.

#### **Drehzahlempfehlung für einen 10mm HSS Bohrer.**

Weichholz:	3000 U/min
Hartholz:	1500 U/min
Kunststoff:	3000 U/min
Aluminium:	3000 U/min
Messing:	1000 U/min
Grauguss:	1000 U/min
Stahl (C15):	800 U/min
Stahl (C45):	600 U/min
Rostfreier Stahl:	300 U/min

Allgemein ausgedrückt:

Im Verhältnis je kleiner der Bohrer-Durchmesser, desto höher die Drehzahl.

Holz braucht höhere Drehzahlen als Metall.

Metall wird mit niedrigen Drehzahlen gebohrt, erforderlichenfalls wird auch mit Schneid-Öl geschmiert.

Ein Drehzahl-Riemenlauf Schaubild (Fig 17) befindet sich an der Innenseite des Riemendeckels.

Orientieren Sie sich danach bei jedem Drehzahlwechsel.



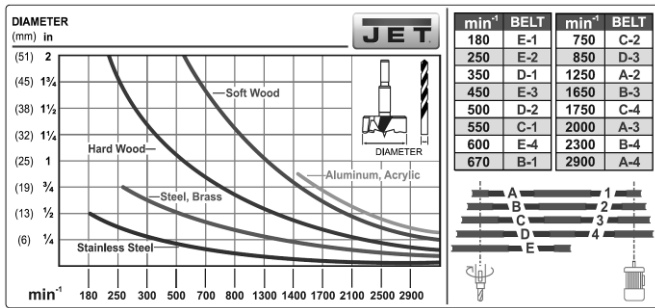


Fig 17

### ACHTUNG:

Halten Sie mit ihren Fingern ausreichend Abstand zum rotierenden Bohrwerkzeug, beachten Sie dass das Werkstück oder Ihre Hände verrutschen können.

Späne und Werkstückeile nur bei stehender Maschine entfernen.

Späne nicht mit der Hand entfernen, Handbesen oder Spänehooken verwenden

Schließen Sie den Riemendeckel und den Bohrfutterschutz.

Einen Schraubstock immer am Tisch festschrauben.

Arbeiten Sie niemals freihändig (frei gehaltenes Werkstück ohne Abstützung am Tisch), außer bei Polierarbeiten.

Lange Werkstücke durch Rollenböcke abstützen.

Verwenden Sie keine Drahtbürstwerkzeuge, Fräswerkzeuge, Kreisschneider oder Schleifscheiben auf dieser Maschine.

Niemals Magnesium zerspanen-  
Hohe Feuergefahr!

Niemals in den Laserstrahl schauen.

Nicht direkt mit optischen Instrumenten in den Strahl schauen.

Richten Sie den Laserstrahl nicht auf Personen oder Tiere.

Verwenden Sie den Linienlaser nicht bei stark reflektierendem Material. Reflektiertes Laser-Licht ist gefährlich.

## 7. Rüst- und Einstellarbeiten

### Allgemeine Hinweise

Vor Rüst- und Einstellarbeiten muss die Maschine gegen Inbetriebnahme gesichert werden.

**Netzstecker ziehen!, Not-Halt Taste drücken!**



### 7.1 Bohrfutterwechsel

Drücken Sie die Not-Halt Taste.

Die Bohrpinoles absenken und abgesenkt fixieren (siehe Kapitel 7.3)

Drehen Sie die Spindel bis die radialen Schlitze von Spindel und Pinole miteinander fluchten.

Schützen Sie den Maschinentisch vor herabfallenden Teilen.

Stecken Sie den Auswurfkeil (HP1, Fig 18) in den Schlitz und hämmern Sie leicht. Sichern Sie dabei das herabfallende Bohrfutter von Hand.

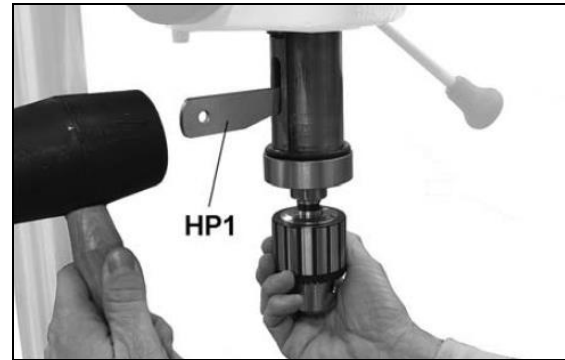


Fig 18

### 7.2 Bohrtiefenanschlag Einstellung

Zum Bohren mehrerer Löcher in gleicher Bohrtiefe verwenden Sie den Bohrtiefenanschlag.

#### Methode 1:

Lösen Sie den Klemmgriff (G, Fig 20).

Senken Sie die Spindel mit eingespanntem Bohrer auf die Werkstückoberfläche ab Fig 19.

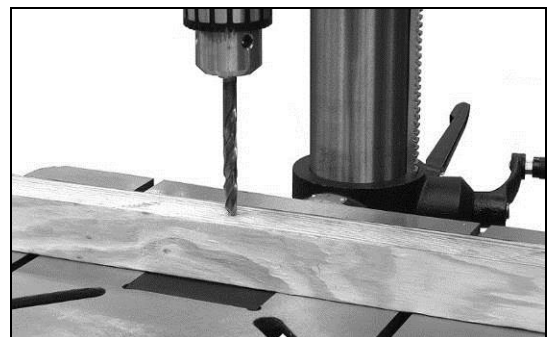


Fig 19

Drehen Sie den Skalenring (E, Fig 20) auf "Null". Dadurch wird die Werkstückoberfläche zur Bezugsebene.

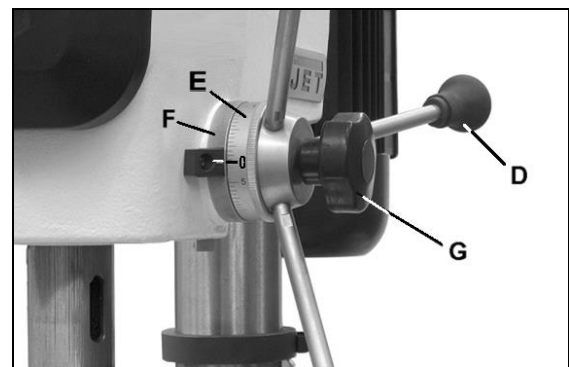


Fig 20

Bewegen Sie das Werkstück zur Seite.

Drehen Sie die Bohrvorschubhebel (D) bis der Skalenring die gewünschte Bohrtiefe anzeigt.

Drehen Sie den Stopp-Ring (F) gegen den Uhrzeigersinn bis zum Anschlag.

Ziehen sie den Klemmgriff (G) fest.

Der Bohrer wird nun auf dieser Höhe gestoppt.

#### Method 2:

Markieren Sie zuerst die gewünschte Bohrtiefe am Werkstück.

Lösen Sie den Klemmgriff (G).

Senken Sie den Bohrer bis zur markierten Stelle ab ( Fig 21).

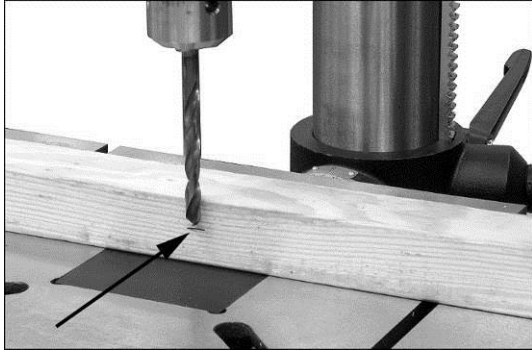


Fig 21

Drehen Sie den Stopp-Ring (F, Fig 20) gegen den Uhrzeigersinn bis zum Anschlag.

Ziehen sie den Klemmgriff (G) fest.

Der Bohrer wird nun auf dieser Höhe gestoppt.

#### Hinweis:

Zur Feinjustierung, den Klemmgriff (G) teilweise lösen und den Bohrvorschubhebel (D) gefühlvoll weiterbewegen.

Ziehen sie den Klemmgriff (G) wieder fest.

#### 7.3 Pinolen-Rückzugsbegrenzung:

Die Pinole kann in abgesenkter Stellung festgesetzt werden, um z.B. den Bohrfutterwechsel zu erleichtern.

Lösen Sie den Klemmgriff (G).

Drehen Sie die Bohrvorschubhebel (D) bis die gewünschte Stellung erreicht ist.

Drehen Sie den Stopp-Ring (F) im Uhrzeigersinn bis zum Anschlag.

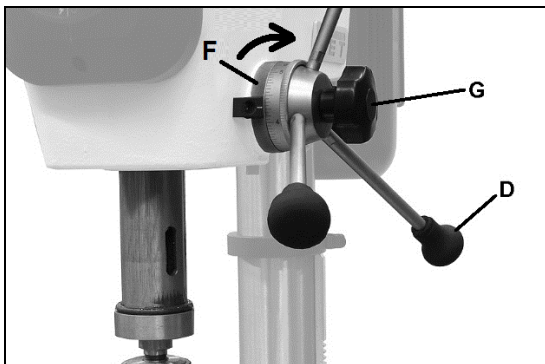


Fig 22

Ziehen sie den Klemmgriff (G) fest.

Die Pinole bleibt nun auf dieser Höhe.

#### 7.4 Drehzahlwechsel

Öffnen Sie den Riemendeckel.

Ein Drehzahl-Riemenlauf Schaubild (C, Fig 23) befindet sich an der Innenseite des Riemendeckels.

Orientieren Sie sich danach bei jedem Drehzahlwechsel.



Fig 23

Lösen Sie den Klemmgriff (A) und bewegen Sie die Spannrolle (B) vom Riemen weg.

Wechseln Sie die Riemenlage entsprechend des Drehzahl-Riemenlauf Schaubildes.

Prüfen Sie die korrekte Lage der Riemen auf den Riemenscheiben.

Spannen Sie den Riemen.

Schließen Sie den Riemendeckel.

#### Hinweis:

Der Riemendeckel ist zu Ihrer Sicherheit mit einem Endschalter (LS) überwacht. Der Riemendeckel muss geschlossen sein sonst lässt sich die Maschine nicht starten.

#### 7.5 Tisch Verstellung

Drücken Sie die Not-Halt Taste.

Lösen Sie die Säulenklammung (A, Fig 24).

Drehen Sie die Höhenkurbel (B) bis die gewünschte Stellung erreicht ist.

Vor der Bearbeitung die Säulenklammung (A) wieder festsetzen.

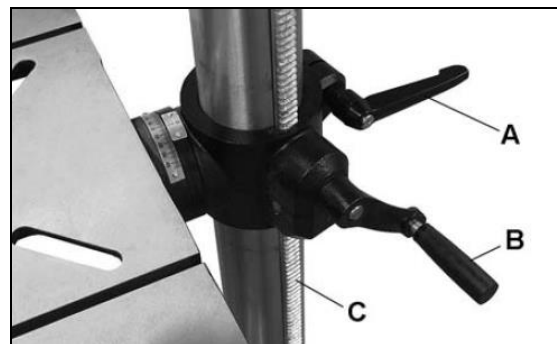


Fig 24

### Hinweis:

Zum Bearbeiten großer Werkstücke, den Tisch zur Seite drehen und den Sockel als Auflage verwenden.

Nutzen Sie die Nuten im Tisch und im Sockel zum Festspannen von Werkstücken und Aufspannmitteln

### 7.6 Tischschwenkung

Drücken Sie die Not-Halt Taste.

Um den Tisch zu schwenken muss vorher der Indexierstift (E, Fig 25) gezogen werden. Dazu die Mutter (D) im Uhrzeigersinn drehen.

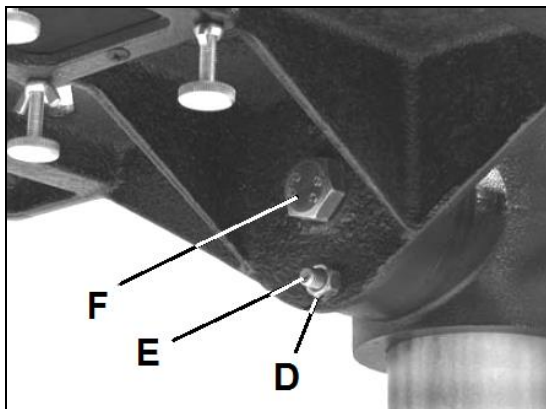


Fig 25

Lösen Sie die Sechskantschraube (F) um den Tisch zu schwenken.

Die Sechskantschraube wieder festziehen.

### ACHTUNG:

Die Sechskantschraube nur leicht lösen da andernfalls die gesamte Tischeinheit herunterfallen kann.

Der Indexierstift rastet nur bei 0° ein und muss wieder installiert werden wenn der Tisch auf 0° zurückgestellt ist.

### 7.7 Tischeinlage Einstellung

Die Tischeinlage kann eben zum Tisch eingestellt werden.

Lösen Sie die zwei Schrauben (G, Fig 26) unter dem Tisch.

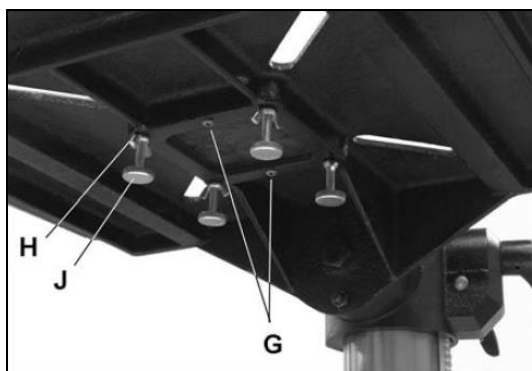


Fig 26

Lösen Sie die Flügelmuttern (H) und drehen Sie die Rändelschrauben (J) nach Bedarf.

### MDF-Tischeinlage:

95x95mm, 16-19mm dick (JET Artikel Nr.: JDP17-130)

### 7.8 Kreuzlaser Einstellung

Der Kreuzlaser ist zur Verwendung mit Spiralbohrern ausgelegt.

Der Laserstrahl wird von großen Werkzeugen beschattet, die Verwendung ist dadurch eingeschränkt.

Die zwei Linienlaser müssen so eingestellt sein, dass sich ihre Strahlen am Bohrmittelpunkt treffen (Fig 27).

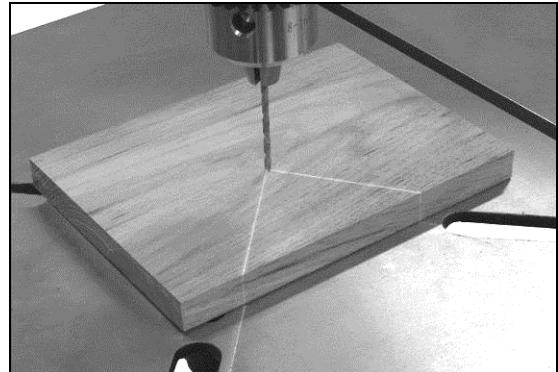


Fig 27

Die Linienlaser sind ab Werk eingestellt.

Zum Verstellen, einen kleinen Spiralbohrer einspannen und die Laserquellen (L, Fig 28) mit einer Zange vorsichtig nach Bedarf drehen.



Fig 28

### ACHTUNG:

Klasse 2 Laser



Nicht in den Laserstrahl schauen.

Nicht direkt mit optischen Instrumenten in den Strahl schauen.

Richten Sie den Laserstrahl nicht auf Personen oder Tiere.

Verwenden Sie den Kreuzlaser nicht bei stark reflektierendem Material. Reflektiertes Licht ist gefährlich.

Ein defekter Laser darf nicht repariert werden, nur getauscht.

### 7.9 LED Maschinenleuchte

Die LED Maschinenleuchte ist schwenkbar.

Zum Verstellen auf den Rand der Leuchte drücken (Fig 29).

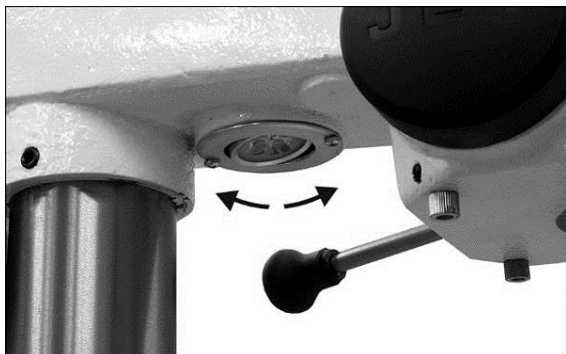


Fig 29

### 7.10 Rückholfeder Einstellung

Die Pinolen-Rückholfeder ist werksseitig eingestellt.

Sollte eine Verstellung erforderlich sein so gehen Sie bitte wie folgt vor.

Die Stromzufuhr durch Ziehen des Netzsteckers trennen.

Entfernen Sie die Abdeckkappe (A, Fig 30).

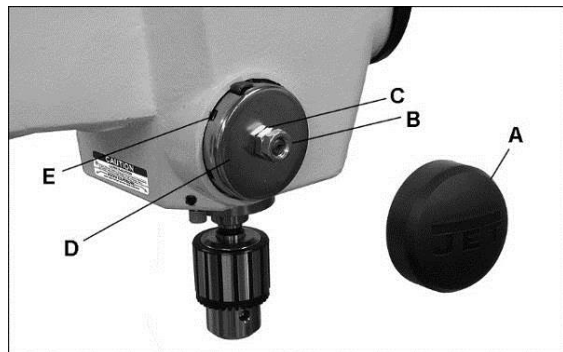


Fig 30

Lösen Sie die Muttern (B, C) um ca. 3mm.

Halten Sie das Federgehäuse (D) gut fest.

Um z. B. die Federkraft zu erhöhen ziehen Sie das Federgehäuse vorsichtig weg und drehen Sie es gegen den Uhrzeigersinn bis die Mitnahme (E) wieder einrastet.

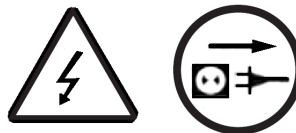
Ziehen Sie die Muttern (B, C) wieder fest und kontern Sie mit mäßigem Drehmoment. Die Muttern müssen zum Federgehäuse Spiel haben.

Montieren sie wieder die Abdeckkappe (A).

## 8. Wartung und Inspektion

### Allgemeine Hinweise

**Vor Wartungs- Reinigungs- und Reparaturarbeiten muss die Maschine gegen Inbetriebnahme gesichert werden. Netzstecker ziehen!**



Entfernen Sie nach jeder Bearbeitung Späne und Staub.

Reinigen Sie die Maschine in regelmäßigen Zeitabständen.

Schmieren Sie in regelmäßigen Abständen mit etwas Fett:

- Spindel-Antriebskeilwelle
- Spindel-Pinolenverzahnung
- Zahnstange

Schützen Sie die Pinole und die Säule mit einem leichten Ölfilm. Dadurch wird der Verschleiß reduziert, Rost wird verhindert, die Bedienung wird leichtgängiger.

Blanke Metalloberflächen an Tisch und Sockel sollten sauber und rostfrei gehalten werden. Schützen Sie mit geeignetem Rostschutzspray oder Wachspaste.

Prüfen Sie ob alle Schrauben festgezogen sind.

Prüfen Sie ob Netzkabel ohne Beschädigung sind.

Achten Sie darauf dass die Lüfter und Motor-Lüftungsschlitze frei und sauber sind. Staub regelmäßig ausblasen.

Prüfen Sie regelmäßig die Funktion der Sicherheitseinrichtungen.

- Bohrfutterschutz Endschaltefunktion
- Riemendeckel Endschaltefunktion
- Not-Halt Funktion

Beschädigte Sicherheitseinrichtungen sofort ersetzen.

Anschlüsse und Reparaturen der elektrischen Ausrüstung dürfen nur von einer Elektrofachkraft durchgeführt werden.

Bei längerem Nichtgebrauch, die Riemenspannung reduzieren.

## 9. Störungsabhilfe

### Motor startet nicht

\*Kein Strom-  
Netzsicherung prüfen.

\*Motor, Schalter oder Kabel defekt-  
Elektrofachkraft kontaktieren.

\*Überlastschutz hat reagiert-  
Abkühlen lassen und neu starten.

\*Bohrfutterschutz oder Riemendeckel offen-  
Bohrfutterschutz schließen.  
Riemendeckel schließen

### Bohrfutter löst sich

\*Schmutz oder Fett am Kegeldorn-  
Kontaktflächen an Spindel und Bohrfutter müssen fettfrei sein.

### Maschine vibriert

\*falsche Riemenspannung-  
Riemenspannung kontrollieren.

\*Spindelpinole ist trocken-  
Spindelpinole fetten.

\*Spindelriemenscheibe lose-  
Spindelmutter festziehen.

\*Motorriemenscheibe lose-  
Gewindestift festziehen.

\*Bohrer verschlissen-  
Bohrer schärfen.

#### **Bohrer glüht aus**

\*falsche Drehzahl gewählt-  
Drehzahl reduzieren.

\*Bohrer mit Spänen verstopft-  
Bohrrückzug öfter vornehmen.

\*Bohrer verschlissen-  
Bohrer schärfen.

\*Bohrvorschub zu gering-  
Vorschub erhöhen.

#### **Bohrloch verläuft**

\*Bohrer asymmetrisch geschliffen-  
Bohrer korrekt schärfen

\*Bohrlochanfang versetzt-  
Zentrierbohrer einsetzen.

\*Bohrer verbogen-  
Neuen Bohrer einsetzen.

\*Bohrer nicht korrekt gespannt-  
Bohrer erneut einspannen.

#### **Laserkreuz nicht im Bohrzentrum**

\*Laserkreuz nicht richtig eingestellt-  
Laser einstellen (siehe Kapitel 7.8)

#### **Linienlaser leuchtet nicht**

\*Linienlaser oder Stromzufuhr defekt -  
Elektrofachkraft kontaktieren.

Ein defekter Laser darf nicht repariert werden, nur getauscht.

## **10. Umweltschutz**

Schützen Sie die Umwelt!

Ihr Gerät enthält mehrere unterschiedliche,  
wiederverwertbare Werkstoffe.  
Bitte entsorgen Sie es nur an einer spezialisierten  
Entsorgungsstelle.

## **11. Lieferbares Zubehör**

Siehe die JET Preisliste

# FR - FRANCAIS

## Mode d'emploi

Cher client,

Nous vous remercions de la confiance que vous nous portez avec l'achat de votre nouvelle machine JET. Ce manuel a été préparé pour l'opérateur des **perceuses JDP-15B, JDP-15F, JDP-17**. Son but, mis à part le fonctionnement de la machine, est de contribuer à la sécurité par l'application correcte des procédés d'utilisation et de maintenance. Avant de mettre l'appareil en marche, lire les consignes de sécurité et de maintenance dans leur intégralité. Pour obtenir une longévité et fiabilité maximales de votre perceuse, et pour contribuer à l'usage sûr de la machine, veuillez lire attentivement ce mode d'emploi et en suivre les instructions.

### Table des Matières

#### 1. Déclaration de conformité

#### 2. Prestations de garantie

#### 3. Sécurité

Utilisation conforme  
Consignes de sécurité  
Risques

#### 4. Spécifications

Indications techniques  
Emission de bruit  
Contenu de la livraison  
Caractéristiques particulières  
Description de la machine

#### 5. Transport et montage

Transport  
Montage  
Raccordement au réseau électrique  
Raccordement collecteur de poussières  
Mise en exploitation

#### 6. Fonctionnement de la machine

#### 7. Réglages

Changement du mandrin  
Réglage butée de profondeur  
Limitation du recul de la douille de broche  
Changement de vitesse  
Réglage de la table  
Inclinaison de la table  
Insertion de table  
Réglage du laser croisé  
Eclairage LED de la machine  
Réglage du ressort de rappel

#### 8. Entretien et inspection

#### 9. Détecteur de pannes

#### 10. Protection de l'environnement

#### 11. Accessoires

### 1. Déclaration de conformité

Par le présent et sous notre responsabilité exclusive, nous déclarons que ce produit satisfait aux normes conformément aux lignes directrices indiquées page 2.

### 2. Prestations de garantie

Le vendeur garantit que le produit livré est exempt de défauts de matériel et de fabrication. La présente garantie ne s'applique pas aux défauts résultant d'une utilisation directe ou indirecte incorrecte, de l'inattention, d'un accident, d'une réparation, d'une maintenance ou d'un nettoyage insuffisant, ou encore de l'usure normale.

Il est possible de faire valoir des prétentions en garantie dans les 12 mois suivant la date de la vente (date de la facture). Toute autre prétention est exclue.

La présente garantie comprend toutes les obligations de garantie incombant au vendeur et remplace toutes les déclarations et conventions antérieures en termes de garanties.

Le délai de garantie s'applique pour une durée d'exploitation de huit heures par jour. Au-delà, le délai de garantie diminue proportionnellement au dépassement, mais pas en deçà de trois mois.

Le renvoi d'une marchandise faisant l'objet d'une réclamation requiert l'accord préalable exprès du vendeur et s'effectue aux frais et aux risques de l'acheteur.

Les prestations de garantie détaillées figurent dans les Conditions générales (CG). Ces dernières sont disponibles sur [www.jettools.com](http://www.jettools.com) ou peuvent être envoyées par la poste sur demande.

Le vendeur se réserve le droit de modifier à tout moment le produit et les accessoires.

### 3. Sécurité

#### 3.1 Utilisation conforme

Cette perceuse convient au perçage du bois et des matières plastiques et métaux à coupe rapide.

Le travail d'autres matériaux est interdit et ne peut être effectué que dans des cas spéciaux et après accord du fabricant de la machine.

#### **Ne jamais usiner du magnésium- Danger d'incendie!**

La pièce doit pouvoir être posée et serrée sans problème.

L'utilisation conforme implique le strict respect des instructions de service et de maintenance indiquées dans ce manuel.

La machine doit être exclusivement utilisée par des personnes familiarisées avec le fonctionnement, la maintenance et la remise en état, et qui sont informées des dangers correspondants.

L'âge requis par la loi est à respecter.

La machine ne doit être utilisée que si elle est en parfait état.

N'utiliser la machine que si tous les dispositifs de sécurité et de protection sont en place.

Toutes les directives relatives à la prévention des accidents ainsi que les consignes de sécurité doivent être scrupuleusement respectées.

En cas d'utilisation non-conforme de la machine, le fabricant décline toute responsabilité qui est en tel cas rejetée exclusivement sur l'utilisateur.

### 3.2 Remarque générales de sécurité

L'usage non conforme des machines servant au travail du bois et du métal peut s'avérer dangereux, c'est pourquoi vous devez lire attentivement ce mode d'emploi avant de monter ou d'utiliser votre appareil.



Conserver à proximité de la machine tous les documents fournis avec l'outillage (dans une pochette en plastique, à l'abri de la poussière, de l'huile et de l'humidité) et veiller à joindre cette documentation si vous cédez l'appareil.

Ne pas effectuer de modifications à la machine. Utiliser les accessoires recommandés, des accessoires incorrects peuvent être dangereux.

Chaque jour avant d'utiliser la machine, contrôler les dispositifs de protection et le fonctionnement impeccable.

En cas de défauts à la machine ou aux dispositifs de protection avertir les personnes compétentes et ne pas utiliser la machine. Débrancher la machine du réseau.

Avant de mettre la machine en marche, retirer cravate, bagues, montre ou autres bijoux et retrousser les manches jusqu'aux coudes. Enlever tous vêtements flottants et nouer les cheveux longs.

Ne pas porter **de gants**.



Porter des chaussures de sécurité, surtout pas de tenue de loisirs ou de sandales.

Porter des équipements de sécurité personnels pour travailler à la machine.

- des lunettes protectrices,
- une protection acoustique
- une masque anti poussier.



Placer la machine de sorte à laisser un espace suffisant pour la manœuvre et le guidage des pièces à usiner.

Veiller à un éclairage suffisant.

La machine est conçue pour être utilisée dans des locaux fermés.

Placer la machine sur une surface stable et plane.

**La machine doit être fixée au sol afin d'éviter qu'elle bascule !**

S'assurer que le câble d'alimentation ne gêne pas le travail ni ne risque de faire trébucher l'opérateur.

Ne jamais porter la machine par le câble d'alimentation. Ne pas tirer sur ce câble pour déconnecter la machine du réseau. Ne pas mettre le câble en contact avec de la chaleur, de l'huile ou des arêtes coupantes.

Conserver le sol autour de la machine propre, sans déchets, huile ou graisse.

S'assurer que les fentes de ventilation sont toujours propres et sans poussières.

Prêter grande attention au travail et rester concentré.

Eviter toute position corporelle anormale.

Veiller à une position stable et garder un bon équilibre à tout moment.

N'utilisez pas la machine si vous êtes fatigué.

Ne pas travailler sous l'influence de drogues, d'alcool ou de médicaments.

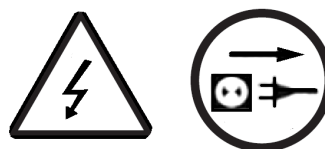
Eloigner de la machine toutes personnes inexpérimentées, surtout les enfants.

Ne jamais mettre la main dans la machine pendant le travail.

Ne jamais laisser la machine en marche sans surveillance. Arrêter la machine avant de quitter la zone de travail.

Débrancher la prise du secteur lorsque la machine n'est pas utilisée.

Faire tous les travaux de maintenance, réglage ou nettoyage après avoir débranché la machine du réseau!



Retirer les clous et autres corps étrangers de la pièce avant de débiter l'usinage.

Ne pas mettre la machine à proximité de liquides ou de gaz inflammables. Tenir compte des moyens de détections et des dispositifs de lutte contre les incendies, par ex emplacement et usage des extincteurs.

Préserver la machine de l'humidité et ne jamais l'exposer à la pluie.

Utiliser un collecteur de poussières afin d'éviter une production de poussières trop élevée.

La poussière de bois est explosive et peut être nocive pour la santé.

Les poussières de certains bois exotiques et de bois durs, tels que le hêtre et le chêne sont classées comme étant cancérigènes.

Retirer les clous et autres corps étrangers de la pièce avant de débiter l'usinage.

Ne jamais travailler sans le protège-mandrin.

Avant de mettre la machine en marche éloigner la clé du mandrin et autres outils.

Ne pas enlever les copeaux et les pièces usinées avant que la machine ne soit à l'arrêt.

Ne pas retirer les copeaux avec les mains, utiliser un balai ou un crochet à copeaux.

Faites attention pendant changement d'outils, les outils sont très tranchant et peuvent être chaude.

Travailler seulement avec des outils bien aiguisés.

Ne pas démarrer la machine lorsque le foret est en contact avec une pièce.

Ne pas faire forcer le moteur. Votre machine vous rendra de meilleurs services et donnera de meilleurs résultats, sans nuire à la sécurité, si elle est utilisée selon la fréquence pour laquelle elle a été conçue.

Se tenir aux spécifications concernant la dimension maximale ou minimale de la pièce à usiner.

Garder les doigts à une distance suffisante du perceur en rotation, tenir compte que la pièce ou vos mains peuvent glisser.

Ne travailler que les pièces qui peuvent posées en toute sécurité.

S'assurer que la pièce ne peut pas tourner.

Utiliser des griffes de serrage, un étau ou autre dispositif pour fixer la pièce.

Ne jamais tenir la pièce seulement avec les mains.

Pour bloquer la pièce sur la table, utiliser les glissières de table ou fixer des serre-joints sur les bords de la table.

Toujours serrer l'étau à la table.

Si le centre de gravité de votre pièce se trouve en dehors de la table, utiliser un support roulant.

Ne jamais utiliser d'outils de fraisage, de brosse métallique, de fraise trépaneuse et de meule sur cette machine.

Vérifier la fixation correcte de l'outil et de la table avant de commencer le travail.

Ne jamais faire de réglage à la table pendant que la machine est en marche.

Ne pas se mettre sur la machine.

Ne jamais mettre la machine en route si les dispositifs de sécurité sont retirés ou défectueux. Danger important de blessures !

Tous travaux de branchement et de réparation sur l'installation électrique doivent être exécutés uniquement par un électricien qualifié.

Toujours dérouler entièrement toute rallonge.

Remplacer immédiatement tout câble endommagé ou usé.

Ne jamais utiliser la machine si le bouton marche/arrêt ne fonctionne pas correctement.

L'utilisation d'accessoires autres que ceux recommandés dans ce mode d'emploi ou d'appareils complémentaires peut entraîner des dangers de blessures.

Faire attention aux pièces éjectées pendant le réglage du ressort de rappel.

Ne jamais diriger les rayons du laser dans les yeux.



Ne jamais pointer le rayon laser vers des personnes ou des animaux.

Ne pas utiliser le laser de guidage en liaison avec des matériaux fortement réfléchissants. La lumière réfléchie est dangereuse.

Un laser défectueux ne doit pas être réparé. Il faut le changer.

### 3.3 Risques

Même en respectant les directives et les consignes de sécurité, les risques suivants existent.

Risques de blessures par le perceur en rotation.

Danger par pièces éjectées.

Danger par basculement de la pièce si celle-ci n'est pas suffisamment fixée.

Risque de nuisances par poussières de bois, copeaux et bruit.

Porter des équipements de sécurité personnels tels que lunettes, cache-visage pour travailler sur la machine.

Veiller à une bonne aération !

Utiliser un collecteur de poussières!

Danger par câble électrique endommagé, usé ou mal branché.

## 4. Spécifications



#### 4.1 Indications techniques

Voltage	230V ~1L/N/PE 50Hz
Puissance	0.55kW (0,75 CV) S1
Courant électrique	3.7 A
Laser classe 2	<1mW, 650nm
Lampe de la machine	LED
Raccordement (H07RN-F):	3x1,5 <sup>2</sup> mm
Fusible du secteur électrique	10A
Classe de protection	I

Voltage	400V ~3L/N/PE 50Hz
Puissance	0.55kW (0,75 CV) S1
Courant électrique	1.6 A
Laser classe 2	<1mW, 650nm
Eclairage de la machine	LED
Raccordement (H07RN-F):	5x1,5 <sup>2</sup> mm
Fusible du secteur électrique	10A
Classe de protection	I

#### JDP-15B:

Nombre de tours	16
Plage de vitesses	180 - 2900 T/min
Arbre	CM2
Mandrin à serrage rapide (avec arbre B16)	1-16mm
Perçage	80mm
Diamètre de la douille	47mm
Distance broche / colonne	190mm
Distance mandrin / table	max 471mm
Distance mandrin / socle	683mm
Dimensions de table P x l	320 x 454mm
Glissières de table (4x)	15 x 70mm
Glissières en T de table (2x)	13mm
Ecartement des glissières en T	270mm
Insertion de table (MDF)	95 x 95 x 16mm
Pivotement de table	+/- 90°
Charge maximale de table	30kg
Diamètre de colonne	73mm
Dimensions socle P x l	460 x 288mm
Surface de fixation du socle P x l	200 x 240mm
Rainures du socle (2x)	15 x 160mm
Ecartement des rainures	126mm
Ecartement perforations de montage(2x Ø11)	200mm
Dimensions P x l x h	677 x 434 x 1115mm
Poids net	71 kg

#### JDP-15F:

Nombre de tours	16
Plage de vitesses	180 - 2900 T/min
Arbre	CM2
Mandrin à serrage rapide (avec arbre B16)	1-16mm
Perçage	80mm
Diamètre de la douille	47mm
Distance broche / colonne	190mm
Distance mandrin / table	max 778mm
Distance mandrin / socle	1182mm

Dimensions de table P x l	320 x 454mm
Glissières de table (4x)	15 x 70mm
Glissières en T de table (2x)	13mm
Ecartement des glissières en T	270mm
Insertion de table (MDF)	95 x 95 x 16mm
Pivotement de table	+/- 90°
Charge maximale de table	30kg

Diamètre de colonne	73mm
Dimensions socle P x l	480 x 288mm
Surface de fixation du socle P x l	200 x 240mm
Rainures du socle (2x)	15 x 160mm
Ecartement des rainures	126mm
Ecartement perforations de montage(2x Ø11)	200mm

Dimensions P x l x h	677 x 434 x 1623mm
Poids net	79 kg

#### JDP-17:

Nombre de tours	16
Plage de vitesses	180 - 2900 T/min
Arbre	CM2
Mandrin à serrage rapide (avec arbre B16)	1-16mm
Perçage	127mm
Diamètre de la douille	52mm

Distance broche / colonne	215mm
Distance mandrin / table	max 763mm
Distance mandrin / socle	1194mm

Dimensions de table P x l	356 x 483mm
Glissières de table (4x)	15 x 79mm
Glissières en T de table (2x)	13mm
Ecartement des glissières en T	270mm
Insertion de table (MDF)	95 x 95 x 16mm
Pivotement de table	+/- 90°
Charge maximale de table	30kg

Diamètre de colonne	80mm
Dimensions socle P x l	507 x 328mm
Surface de fixation du socle P x l	217 x 271mm
Rainures du socle (2x)	15 x 178mm
Ecartement des rainures	130mm
Ecartement perforations de montage(2x Ø11)	200mm

Dimensions P x l x h	723 x 483 x 1679mm
Poids net	86 kg

#### 4.2 Emission de bruit

Niveau de pression sonore (selon EN ISO 11202, incertitude de mesure 4 dB):	
Marche à vide, 2300T/min	LpA 70 dB(A)

Les indications données sont des niveaux de bruit et ne sont pas forcément les niveaux pour un travail sûr.

Cette information est tout de même importante, ainsi l'utilisateur peut estimer les dangers et les risques possibles.

### 4.3 Contenu de la livraison

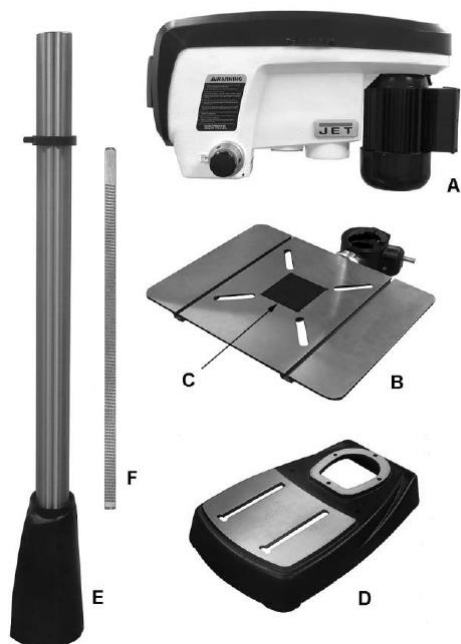


Fig 1

Tête de perçage complète  
Table complète avec insertion de table (MDF)  
Socle  
Colonne avec bride  
Crémaillère



Fig 2

Éjecteur  
Clé polygonale  
Levier de serrage pour glissière de table  
Manivelle pour réglage de la table  
Poignées de manivelle (3)  
Broche sans fin pour réglage en hauteur de la table  
Clé à six pans  
Vis et rondelles pour montage du socle  
Mandrin auto-serrant de 16mm  
Arbre CM2/ B16  
Protège mandrin  
Mode d'emploi  
Liste des pièces de rechange

### 4.4 Caractéristiques particulières

Avance rapide de la douille d'une seule rotation du levier  
Rouleur de serrage, maniable d'une seule main pour changer aisément la vitesse de rotation.  
Butée de profondeur de perçage intégrée, pour travail de séries avec anneau gradué réglable avec exactitude.  
Un laser croisé indique sur la pièce le centre de perçage.  
Lampe de machine LED longue durée pour un éclairage parfait.  
Table de machine meulée avec précision avec 2 glissières en T parallèles et 4 glissières ouvertes pour des serrages adaptés.  
Bords de table plats pour faciliter l'utilisation de serre-joints.  
L'insertion de table en MDF est aisément remplaçable.  
Socle lourd en fonte grise pour une excellente stabilité.  
Entrainement efficace avec 2 courroies striées et puissant moteur ventilé à induction de 0.56kW.  
Le porte-mandrin à serrage rapide de 16mm CM2/B16 est standard.  
Protection du mandrin transparente, réglable en hauteur avec interrupteur de fin de course pour un travail sûr.  
Cache-courroie avec interrupteur de fin de course pour un travail sûr.  
Bouton d'arrêt d'urgence pour un travail sûr.

## 4.5 Description de la machine

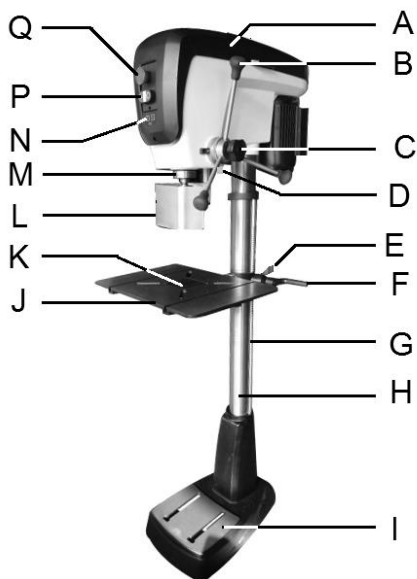


Fig 3

- A...Carter de la courroie
- B...Poignées de manivelle
- C...Serrage pour butée de profondeur
- D...Lampe de machine à LED et laser croisé
- E...Serrage pour glissière de table
- F...Manivelle pour réglage de la table
- G...Crémaillère
- H...Colonne
- I...Socle
- J...Table
- K...Insertion de table (MDF)
- L...Protège mandrin
- M...Douille de broche
- N...Interrupteurs laser croisé et éclairage
- P...Interrupteur marche/arrêt moteur
- Q...Bouton d'arrêt d'urgence

## 5. Transport et mise en exploitation

### 5.1. Transport

Effectuer le montage de la machine dans un local fermé ou un atelier respectant les conditions de menuiserie.

Placer la machine sur une surface stable et plane.

#### ATTENTION:

**Afin d'éviter un basculement, la machine doit être fixée au sol avec deux vis d'ancrage (non joints à la livraison).**

Fig 4

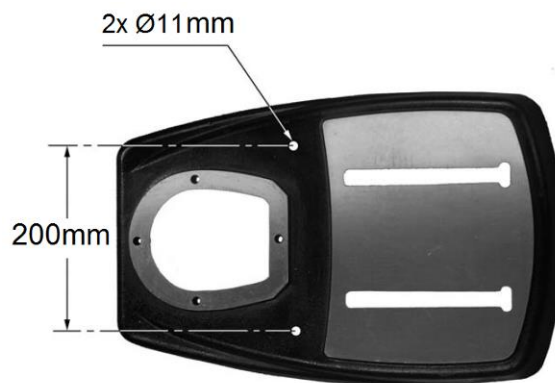


Fig 4

Pour des raisons techniques d'emballage la machine n'est pas complètement montée à la livraison.

### 5.2 Montage

Ne pas mettre la machine sous tension tant qu'elle n'est pas complètement montée.



Déballer la machine. Avertir immédiatement JET si vous constatez des pièces endommagées par le transport et ne pas monter la machine.

Éliminer l'emballage dans le respect de l'environnement.

Enlever la protection antirouille avec un dissolvant.

La tige filetée sur le collier de la colonne (Fig 5) doit être bien serrée. Il faut le contrôler et resserrer.

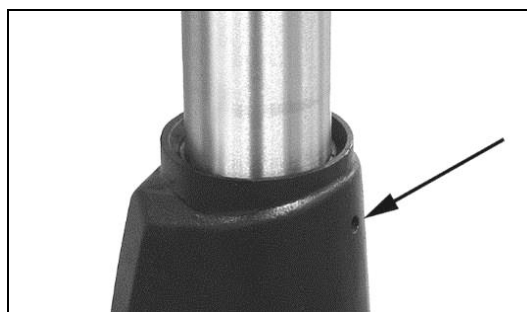


Fig 5

Fixer la colonne au socle, avec 4 vis M8 et rondelles (Fig 6).

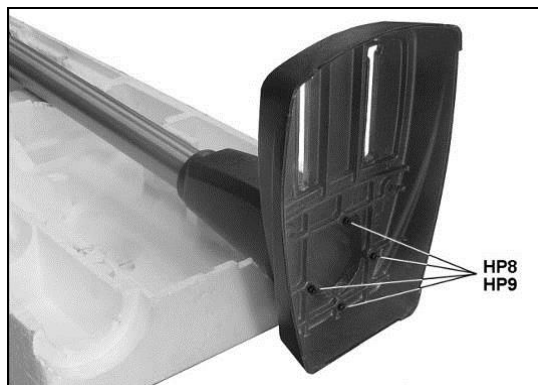


Fig 6

Bien serrer les vis.

Dresser la colonne.

Monter la broche sans fin (HP6, Fig 7).



Fig 7

Mettre la crémaillère dans le logement prévu à cet effet (F, Fig 8).

La partie lisse la plus longue doit se trouver en haut.

Avec l'aide d'une deuxième personne, monter la table avec la crémaillère sur la colonne.

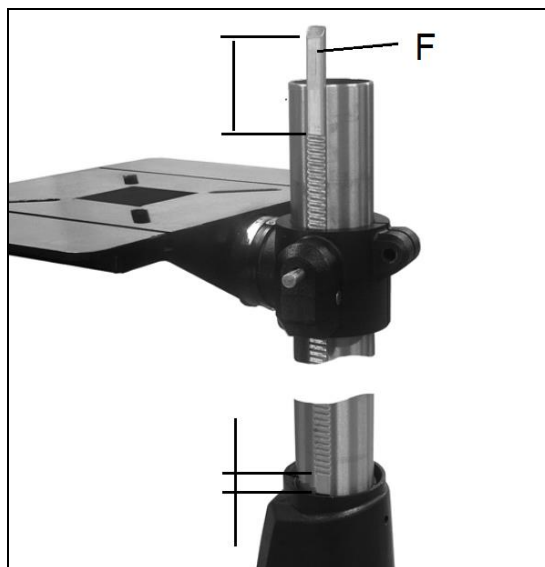


Fig 8

Monter la bague d'arrêt (G, Fig 9) et bloquer la tige filetée (J).

**ATTENTION:**

La crémaillère doit être libre en rotation.

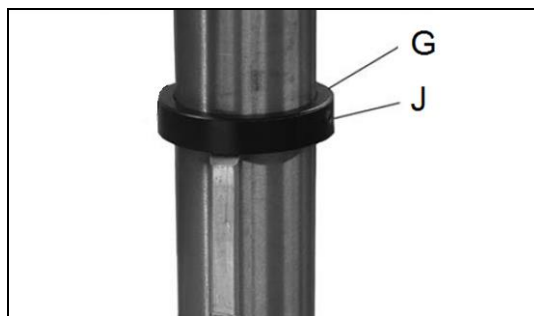


Fig 9

Monter la manivelle (HP4, Fig 10).

La tige filetée (K) doit serrer sur la partie plate de la broche sans fin.

Monter la vis moletée sur le blocage de la colonne (HP3). La poignée peut être bougée en tirant.

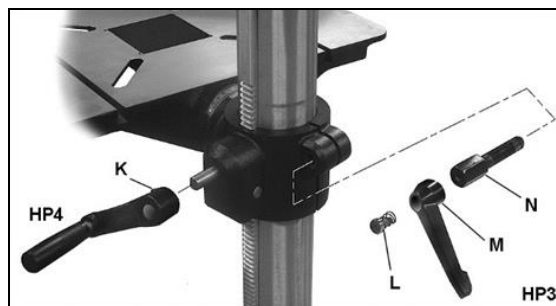


Fig 10

Monter la tête de perçage sur la colonne.

**ATTENTION:**

**La tête du perceur est lourde! Travailler avec prudence et demander l'aide de quelqu'un pour faire ce travail.**

Ajuster la tête du perceur en parallèle au socle.

Bien serrer les 2 tiges filetées (O, Fig 11)..



Fig 11

Fixer les 3 poignées de manivelle (HP5, Fig 12) sur le moyeu.

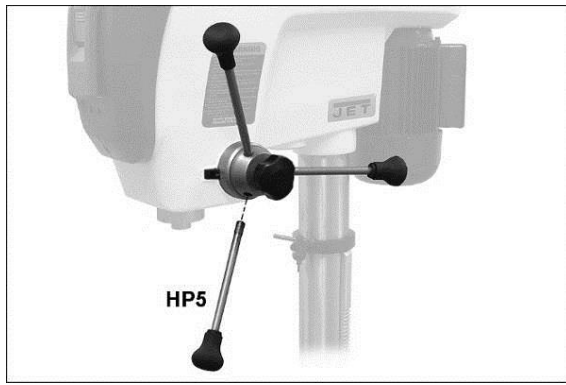


Fig 12

### Montage du mandrin

Nettoyer l'arbre, le cône de la broche et du mandrin avec un chiffon.

#### ATTENTION:

Les surfaces de contact doivent être parfaitement propres. L'huile, la graisse ou autres résidus empêchent l'assise parfaite des éléments. Les éléments pourraient se détacher pendant le travail et présenter un danger pour l'utilisateur et la machine.

Monter le mandrin porte-pièce (HP11, Fig 13) dans la broche. Tourner le mandrin jusqu'à que l'entraîneur s'encliquète.

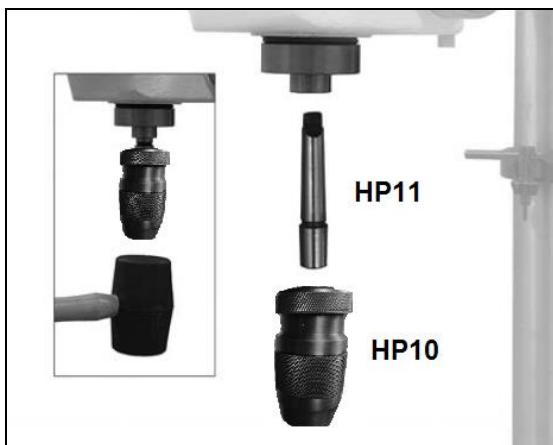


Fig 13

Monter le porte-mandrin (HP 10) sur le mandrin.

Ouvrir le porte-mandrin pour que les mors se retirent complètement.

Placer le mandrin avec deux ou trois coups de marteau en caoutchouc, ou bien avec un morceau de bois et un marteau.

### Montage du protecteur de mandrin :

Retirer la vis (S, Fig 14) et monter le protecteur de mandrin (G).

Remonter la vis (S).

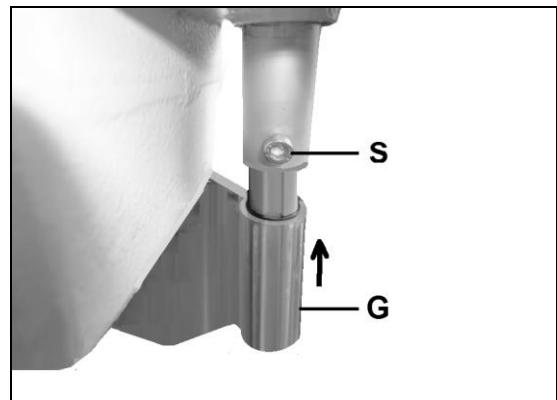


Fig 14

Le protecteur de mandrin est réglable en hauteur. Pour le déplacer, desserrer la vis moletée (L, Fig 15).

Le protecteur de mandrin peut être ouvert (pivoté) pour des changements d'outils ou pour des travaux de réglage.

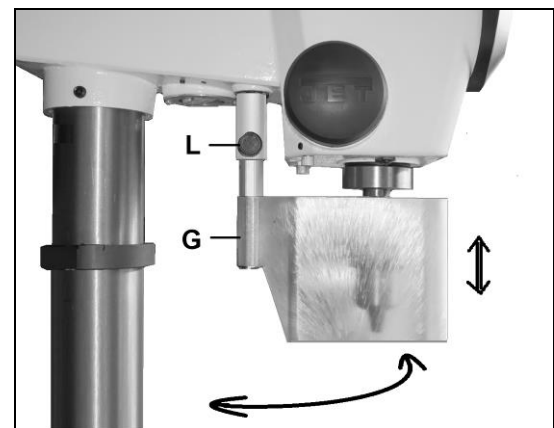


Fig 15

#### ATTENTION:

Le protecteur du mandrin est contrôlé avec un interrupteur de fin de course. Quand il est ouvert, la machine ne peut pas être mise en route.

### 5.3 Raccordement au réseau électrique.

Le raccordement ainsi que les rallonges et connecteurs utilisées doivent être conformes aux données inscrites sur la plaque de la machine.

Le fusible de secteur électrique doit avoir 10A.

Utiliser pour le raccordement des câbles H07RN-F, minimum 1,5mm<sup>2</sup>

Le câble et la prise électrique doivent être exempts de dommages.

Tous travaux de branchement et de réparation sur l'installation électrique doivent être exécutés uniquement par un électricien qualifié.

La machine est équipée d'un câble électrique de 1,8 m avec prise électrique.

### ATTENTION:

-Avant de mettre la machine en marche, vérifié que la broche tourne librement et que tous les dispositifs de sécurité sont bien en place.

- En cas de mauvais sens de rotation, appuyer sur l'inverseur de phase du connecteur CEE et le tourner à 180° (version 400V seulement).

(La broche doit tourner dans le sens des aiguilles d'une montre).

### 5.4 Raccordement collecteur de poussières

La poussière de bois est explosive et peut être nocive pour la santé.

Utiliser un collecteur de poussières afin d'éviter une production de poussières trop élevée.

Aspirer la machine après chaque utilisation ou quand nécessaire.

### 5.5 Mise en exploitation

Mettre la machine en route avec le bouton vert (C, Fig 16).

Arrêter la machine avec le bouton rouge (B).

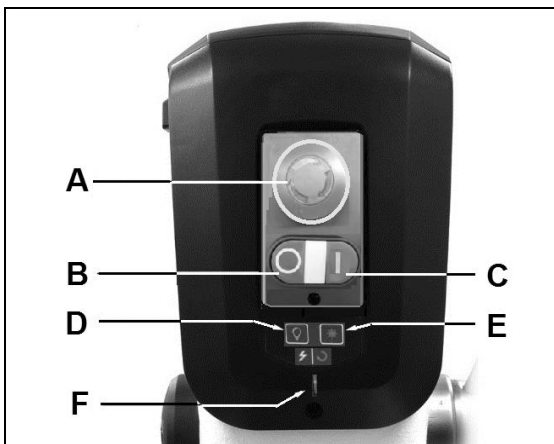


Fig 16

Le bouton d'arrêt d'urgence (A) arrête toutes les fonctions de la machine.

L'éclairage LED peut être mis en route ou arrêté indépendamment de la machine (D).

Le laser croisé peut être mis en route ou arrêté indépendamment de la machine (E).

### ATTENTION:

En cas de surcharge du moteur celui-ci s'arrête automatiquement.

Après un refroidissement d'env. 10 minutes remettre la machine en route.

Le protecteur du mandrin et le cache-courroie sont munis d'interrupteurs de fin de course. Ils doivent être fermés, sinon la machine ne peut pas être mise en route.

Le voyant (F) est "blanc" quand la machine est branchée et sous tension.

Le voyant (F) est "vert" quand le moteur tourne.

## 6. Fonctionnement de la machine

### Contrôle:

Avant de mettre la machine en marche, toujours contrôler que toutes les poignées et vis de la table et de la tête sont bien fixées, et que le mandrin est bien serré dans le porte mandrin.

Retirer tous les éléments non fixés comme les outils, les chiffons, etc.

Il faut apprendre à connaître la machine, se familiariser avec elle en travaillant sur des bouts restants. Toujours utiliser des outils bien affûtés, avec les vitesses de rotation et d'entraînement adaptées.

Retirer l'insertion de table pour percer des orifices.

Pour éviter les bavures, placer un morceau de bois entre la table et la pièce.

Ajuster la hauteur de la table et la profondeur du perçage de manière à ne pas percer dans la table.

Insérer un bout de bois pour protéger la table ainsi que le perceur.

S'assurer que le perceur ne fera pas bouger la pièce. Serrer la pièce à la table ou se servir d'un étau.

Choisir la vitesse de manière à ce que le perceur puisse travailler rapidement et sans interruption.

Une avance de perçage trop minime risque de faire des traces de brûlure, une vitesse de perçage trop élevée peut stopper le moteur ou briser le perceur.

### Nombres de tours conseillés pour un perceur 10mm HSS.

Bois doux:	3000 T/min
Bois dur:	1500 T/min
Matière plastique:	3000 T/min
Aluminium:	3000 T/min
Laiton:	1000 T/min
Fonte grise:	1000 T/min
Acier (C15):	800 T/min
Acier (C45):	600 T/min
Acier inox:	300 T/min

En général:

Plus le diamètre du perçage est petit, plus le nombre de tours utilisé est grand.

Le bois nécessite un nombre de tours plus élevé que les matières métalliques.

Percer le métal avec un petit nombre de tours, si nécessaire utiliser de l'huile de coupe.

Sur la face intérieure du couvercle du cache-courroie se trouve un schéma des vitesses de rotation de la courroie (Fig 17).

Il faut s'y référer pour chaque changement de vitesse

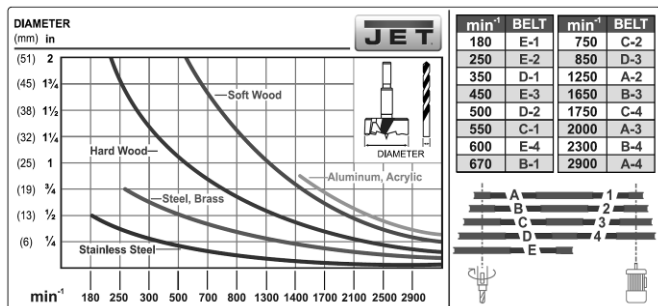


Fig 17

**ATTENTION:**

Garder les doigts à une distance suffisante au perceur en rotation, tenir compte que la pièce ou vos mains peuvent glisser.

Ne pas enlever les copeaux et les pièces usinées avant que la machine ne soit à l'arrêt.

Ne pas retirer les copeaux avec les mains, utiliser un balai ou un crochet à copeaux.

Fermer le cache-courroie et le protège-mandrin.

Toujours serrer l'étau à la table.

Ne jamais travailler une pièce tenue en l'air, sans la poser sur la table.

Poser les pièces longues sur des supports roulants.

Ne pas utiliser d'outils de fraisage, de brosse métallique, de fraise trépaneuse et de meule sur cette machine.

Ne jamais usiner du magnésium- Danger d'incendie!

Ne jamais diriger les rayons du laser dans les yeux.

Ne pas observer directement le faisceau laser au moyen d'instruments optique.

Ne jamais pointer le rayon laser vers des personnes ou des animaux.

Ne pas utiliser le laser de guidage en liaison avec des matériaux fortement réfléchissants. La lumière réfléchi est dangereuse.

**7. Réglages**

**ATTENTION:**

Faire tous les travaux de maintenance ou de réglage après avoir débranché la machine du réseau.

**Pousser le bouton d'arrêt d'urgence !  
Débrancher la machine du réseau!**



**7.1 Changement mandrin**

Appuyer sur le bouton d'arrêt d'urgence.

Abaisser la douille de la broche de perçage (voir chapitre 7.3).

Tourner la broche jusqu'à ce que la rainure de la broche et de la douille s'alignent.

Protéger la table.

Insérer l'éjecteur (HP1, Fig 18) dans la rainure et marteler légèrement. Tenir le mandrin avec la main.

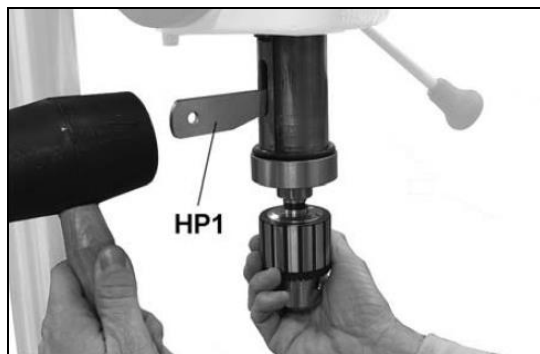


Fig 18

**7.2 Réglage butée de profondeur**

Pour un perçage de plusieurs trous de la même profondeur, utiliser la butée de profondeur.

**Méthode 1:**

Desserrer la poignée de serrage (G, Fig 20).

Abaisser la broche munie du mandrin jusqu'à la surface de la pièce (Fig 19).

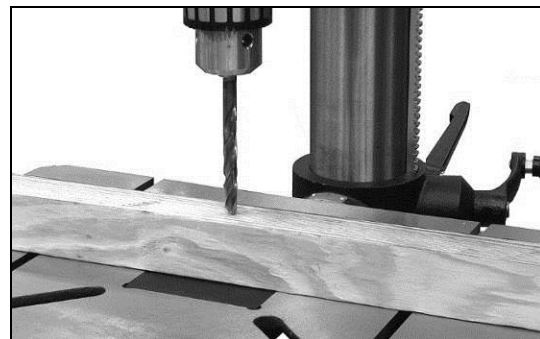


Fig 19

Positionner l'anneau gradué (E, Fig 20) sur "zéro". Ainsi la surface de la pièce devient le niveau de référence.

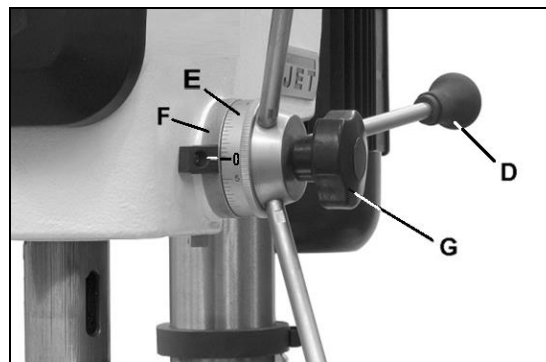


Fig 20

Déplacer la pièce sur le côté.

Tourner le levier d'avancement (D) jusqu'à ce que l'anneau gradué indique la profondeur de perçage désirée.

Tourner l'anneau d'arrêt (F) dans le sens inverse des aiguilles d'une montre jusqu'à la butée

Serrer la poignée de serrage (G).

Le mandrin sera alors stoppé à cette hauteur.

#### Méthode 2:

Marquer la profondeur désirée sur la pièce

Desserrer la poignée de serrage (G).

Tourner le levier d'avancement (D) jusqu'à la marque (Fig 21).

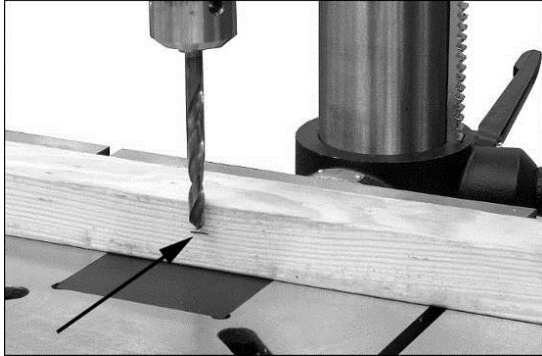


Fig 21

Tourner l'anneau d'arrêt (F, Fig 20) dans le sens inverse des aiguilles d'une montre jusqu'à la butée

Serrer la poignée de serrage (G).

Le mandrin sera alors stoppé à cette hauteur.

#### Remarque:

Pour un ajustage précis, desserrer en partie la poignée de serrage (G) et faire bouger levier d'entraînement (D) avec précision.

Resserrer la poignée de serrage (G).

### 7.3 Limitation du recul de la douille de broche :

La douille de broche peut être bloquée en position abaissée, par ex pour faciliter le changement de porte-mandrin.

Desserrer la poignée de serrage (G).

Tourner le levier d'avance de perçage (D) jusqu'à la position souhaitée.

Tourner la bague d'arrêt (F) dans le sens des aiguille d'une montre jusqu'à la butée.

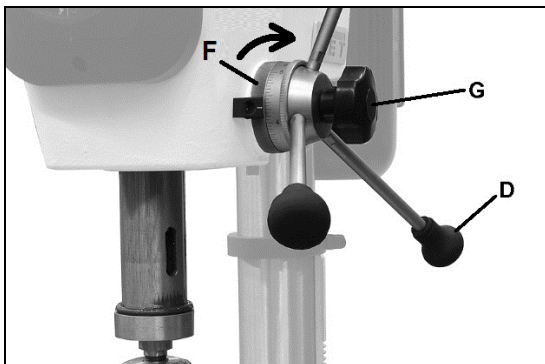


Fig 22

Serrer la poignée de serrage (G).

La douille de broche reste alors à cette hauteur.

### 7.4 Changement de vitesse

Ouvrir le cache-courroie.

Sur la face intérieure du couvercle du cache-courroie se trouve un schéma des vitesses de rotation de la courroie (Fig 17).

Il faut s'y référer pour chaque changement de vitesse

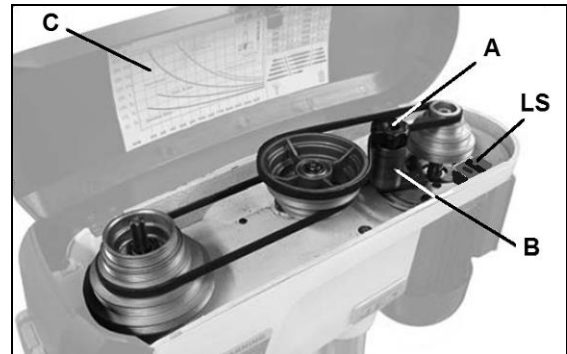


Fig 23

Desserrer la poignée de serrage (A) et éloigner le rouleau de tension (B) de la courroie.

Changer la position de la courroie en fonction de la vitesse de rotation indiquée sur le schéma.

Contrôler la position correcte de la courroie sur la poulie.

Tendre la courroie.

Fermer le cache-courroie.

#### Remarque:

Le cache-courroie est contrôlé par un interrupteur de fin de course (LS). Le cache-courroie doit être fermé, sinon la machine ne peut pas être mise en route.

### 7.5 Réglage de la table

Pousser le bouton d'arrêt d'urgence !

Desserrer le blocage de la colonne (A, Fig 24).

Tourner la manivelle de réglage en hauteur (B) jusqu'à la position souhaitée.

Avant de recommencer le travail, resserrer le blocage de la colonne (A).

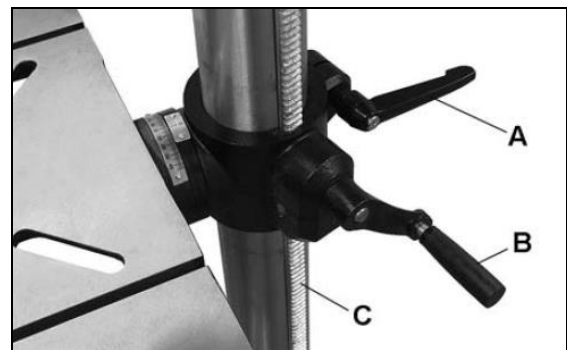


Fig 24



**Remarque:**

Pour travailler de grosses pièces, faire pivoter la table sur le côté et utiliser le socle comme support.

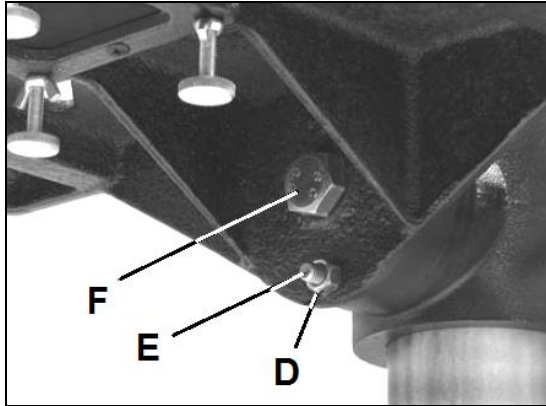
Les rainures de la table et du socle peuvent être utilisées pour fixer des pièces et des accessoires.

**7.6 Inclinaison de table**

Pousser le bouton d'arrêt d'urgence !

Afin de pouvoir faire basculer la table il faut préalablement retirer la goupille de serrage (E, Fig 25).

Pour cela tourner l'écrou (D) dans le sens des aiguilles d'une montre.



**Fig 25**

Desserrer la vis hexagonale (C) pour faire pivoter la table.

Resserrer la vis.

**ATTENTION:**

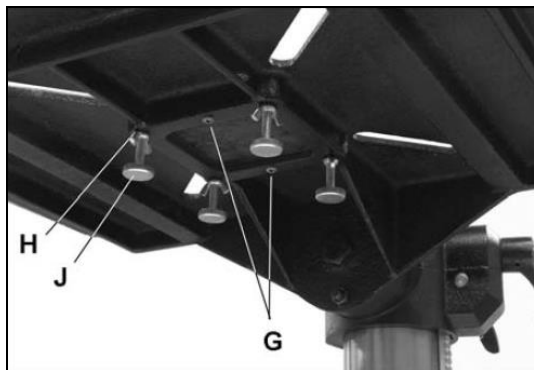
Ne desserrer la vis que légèrement, car sinon la table complète peut tomber.

La goupille d'indexation s'encliquète seulement sur 0° et doit être de nouveau installée quand la table est repositionnée à 0°.

**7.7 Réglage de l'insertion de table**

L'insertion de table doit être positionnée au même niveau que la table.

Desserrer les deux vis (G, Fig 26) se trouvant sous la table.



**Fig 26**

Desserrer les écrous papillons (H) et faire tourner les vis moletées (J) selon les besoins.

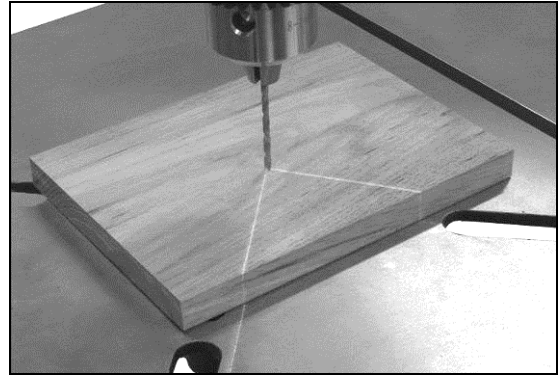
**Insertion de table (MDF) :**

95x95mm, épaisseur 16-19mm  
(No. d'article JET: JDP17-130)

**7.8 Réglage du laser croisé**

Le laser croisé est à utiliser avec le mandrin hélicoïdal. Les gros outils, comme les mandrins Forstner lui font de l'ombre, son utilisation est ainsi limitée.

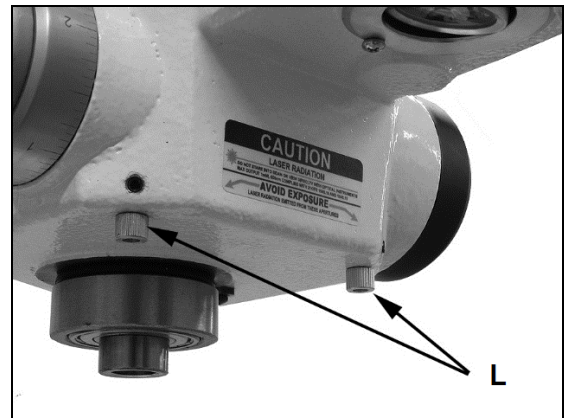
Les 2 faisceaux du laser doivent être réglés de façon à ce qu'ils convergent au centre du point de forage (Fig 27).



**Fig 27**

Les faisceaux sont réglés au départ usine.

Pour les ajuster, serrer un petit mandrin hélicoïdal et tourner avec précaution la source du laser (L, Fig 28) avec une pince jusqu'à la position souhaitée.



**Fig 28**

**ATTENTION:**

**Laser classe 2**



Ne jamais regarder dans le rayon laser.

Ne pas observer directement le faisceau laser au moyen d'instruments optique.

Ne jamais pointer le rayon laser vers des personnes ou des animaux.

Ne pas utiliser le laser de guidage en liaison avec des matériaux fortement réfléchissants. La lumière réfléchie est dangereuse.

Un laser défectueux ne doit pas être réparé. Il faut le changer.

### 7.9 Lampe LED de la machine

La lampe LED de la machine est orientable.

Pour l'ajuster, appuyer sur le bord de la lampe (Fig 29).

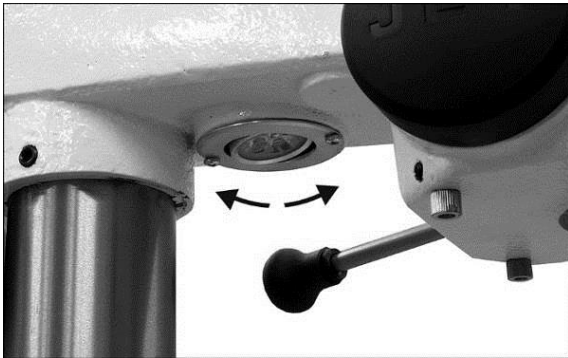


Fig 29

### 7.10 Réglage ressort de rappel

Le ressort de rappel est réglé à l'usine.

Si un autre réglage est nécessaire, suivre les instructions suivantes.

Déconnecter la machine du réseau.

Retirer la plaque de recouvrement (A, 30)

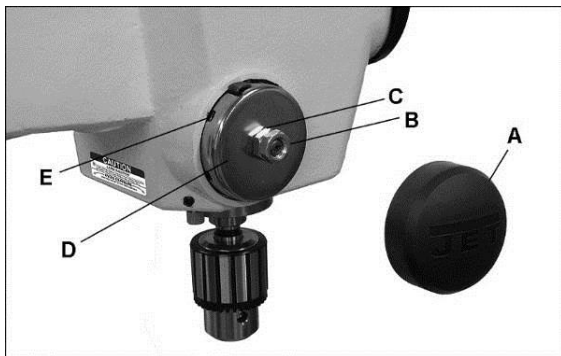


Fig 30

Desserrer les écrous (B, C) d'env. 3mm

Bien tenir le boîtier du ressort (D).

Pour p.ex. augmenter la tension du ressort, tirer légèrement le boîtier du ressort (D) et le tourner en sens inverse des aiguilles d'une montre jusqu'à ce que le cran (E) s'enclenche.

Resserrer les écrous (B, C) et bloquer par contre-écrou avec couple moyen. Les écrous doivent avoir du jeu au boîtier du ressort.

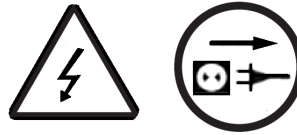
Remonter la plaque de recouvrement.

## 8. Entretien et inspection

### ATTENTION:

Faire tous les travaux de maintenance, réglage ou nettoyage après avoir débranché la machine du réseau!

### Débrancher la machine du réseau!



Après chaque utilisation, retirer les copeaux et la poussière.

Nettoyer la machine régulièrement.

Huiler régulièrement avec un peu de graisse :

- l'arbre d'entraînement
- l'engrènement de la broche de perçage
- La crémaillère

Protéger régulièrement la douille de broche et la colonne avec un léger film d'huile.

Ainsi cela réduit l'usure, empêche la rouille et facilite l'utilisation.

Les surfaces brillantes en métal de la table et du socle doivent être tenues propres et exemptes de rouille. Les protéger avec un spray antirouille ou avec une cire adaptée.

Contrôler que toutes les vis sont bien serrées.

Contrôler que le câble électrique est en parfait état.

Veiller à ce que les fentes d'aération du moteur soient toujours libres et propres.

Contrôler régulièrement les fonctions des dispositifs de sécurité.

- Fonction de l'interrupteur de fin course du protège-mandrin
- Fonction de l'interrupteur de fin de course du cache-courroie
- Fonction d'arrêt d'urgence

Remplacer immédiatement les dispositifs de protection endommagés.

Tous les travaux de branchement et de réparation sur l'installation électrique doivent être exécutés uniquement par un électricien qualifié.

Si la machine n'est pas utilisée pendant longtemps, il faut réduire la tension de la courroie.

## 9. Détecteur de pannes

### Moteur ne se met pas en route

\*Pas de courant-  
Vérifier le voltage.

\*Défaut au moteur, bouton ou câble-  
Contacter un électricien qualifié.

\*Réaction de surcharge-  
Laisser refroidir et redémarrer.

\*Protecteur du mandrin ou cache-courroie ouvert-  
Fermer le protecteur du mandrin.  
Fermer le cache-courroie.

### Mandrin se détache

\*Cône sale ou avec trop de graisse-  
Les surfaces de contact de l'arbre et du mandrin doivent être propres et exemptes de graisse.

### **Vibrations de la machine**

\*Mauvaise tension de courroie-  
Contrôler la tension.

\*L'arbre d'entraînement est trop sec-  
Huiler l'arbre d'entraînement.

\*Poulie à courroie lâche-  
Resserrer l'écrou.

\*Poulie du moteur lâche-  
Resserrer la tige filetée.

\*Perceur usé-  
Aiguiser le perceur.

### **Perceur est surchauffé**

\*Mauvais choix de vitesse-  
Réduire le nombre de tour.

\*Perceur bouché par des copeaux-  
Retirer plusieurs fois le perceur.

\*Perceur usé-  
Aiguiser le perceur.

\*Pas assez d'avance de perçage-  
Augmenter l'avance de perçage.

### **Déviaton du trou de perçage**

\*Perceur asymétrique-  
Aiguiser le perceur correctement

\*Trou de perçage décalé-  
Utiliser un alésoir de centrage.

\*Perceur déformé-  
Remplacer le perceur.

\*Perceur non serré correctement -  
Monter le perceur correctement.

### **Le croisé du laser n'est pas au centre du perçage**

\*Le croisé du laser n'est pas réglé correctement -  
Régler le laser (voir chapitre 7.8)

### **Le laser de guidage ne s'allume pas**

\*Laser linéaire ou bien arrivée de courant défectueux -  
Contacter un électricien qualifié.

Un laser défectueux ne doit pas être réparé. Il faut le changer.

## **10. Protection de l'environnement**

Protégez l'environnement !

Votre appareil comprend plusieurs matières premières différentes et recyclables. Pour éliminer l'appareil usagé, veuillez l'apporter dans un centre spécialisé de recyclage des appareils électriques.

## **11. Accessoires**

Voir liste de prix JET